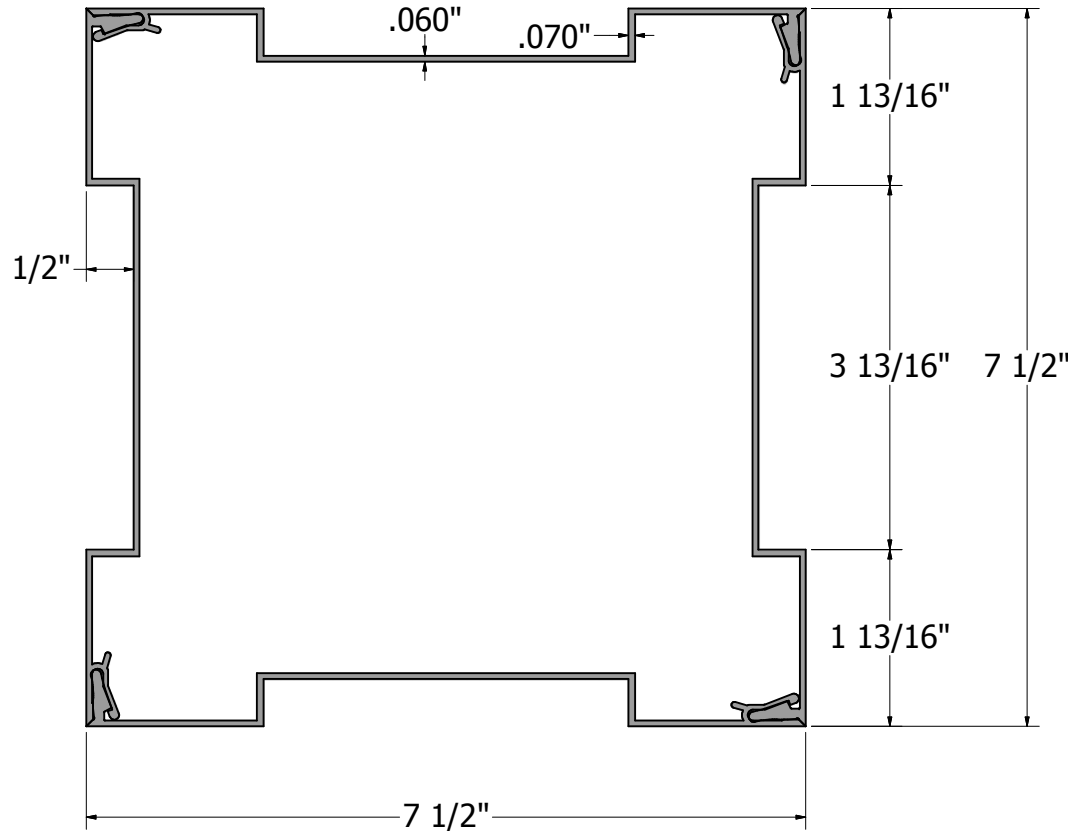
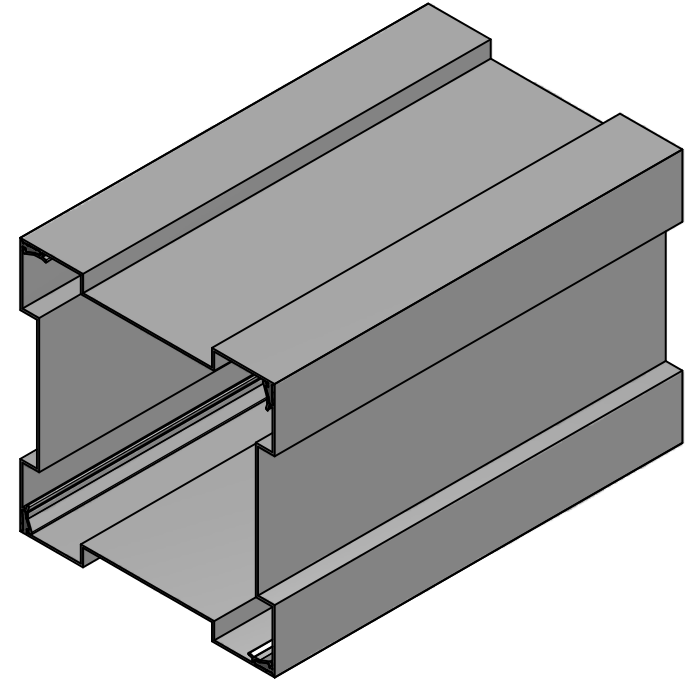


REV.	REVISION	DATE



**DSI** Digger  
Specialties  
Inc.

3446 US 6 EAST  
BREMEN, IN 46506  
www.diggerspecialties.com

WEIGHT: 3.040 lbs./ft	DRAWN BY: WJM
STANDARD TOLERANCE: .00 ~ .01 .000 ~ .005 ANG. ~ .5°	DATE DRAWN: 2/16/2012
FRACTIONS: ± 1/16"	DRAFT NO. 20120216-1
FILE LOC: Z:\Aluminum\DSI Columns\Sq. Recessed Columns\8 Inch\8in.Alum Column Sq. Recessed.idw	

MATERIAL: Aluminum
PART NAME: 8in.Alum Column Sq. Recessed.idw
PART NUMBER: 53087 - 53090 53167 - 53169

4 3 2 1

D

C

B

A

4 3 2 1