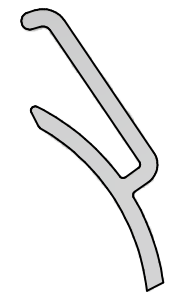
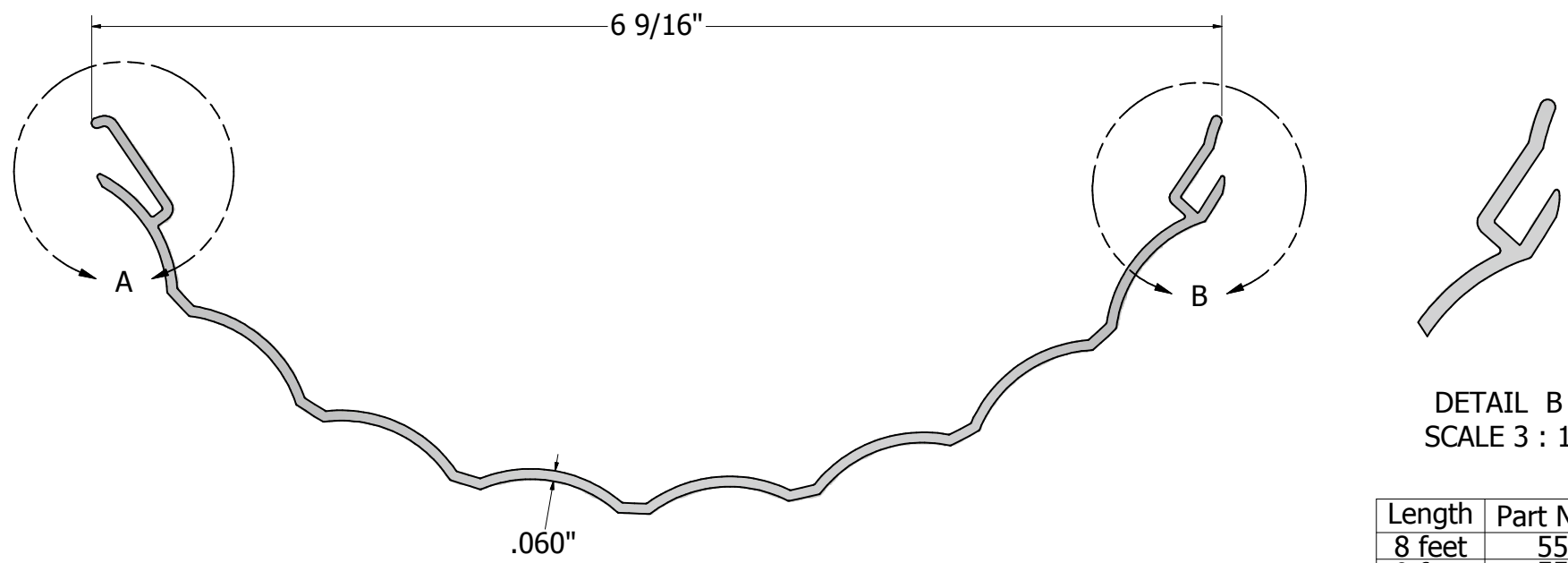
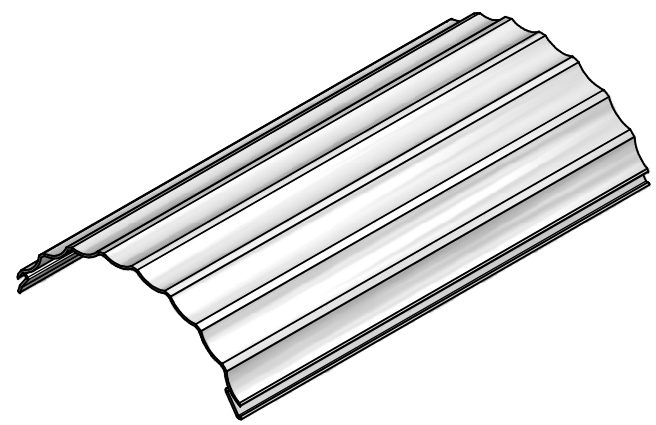



REV.	DESCRIPTION	DATE
A	Replaced staves w/ profile # 94252	01-18-2016
B	New profile # 94258	02-23-2016



DETAIL A
SCALE 3 : 1



Length	Part Number
8 feet	55811
9 feet	55812
10 feet	55813

 DSI Digger Specialties Inc. 3446 US 6 EAST BREMEN, IN 46506 www.diggerspecialties.com	WEIGHT: .687 lbs./ft	DRAWN BY: WJM	MATERIAL: Aluminum	
	STANDARD TOLERANCE: .00 ~ .01 .000 ~ .005 ANG. ~ .5°	DATE DRAWN: 2/16/2012		PART NAME: 8in Alum Stave Rnd Fluted.idw
	FRACTIONS: ± 1/16"	DRAFT NO. 20120216-1	PART NUMBER: See Chart	REV. B
	FILE LOC: Z:\Aluminum\DSI Columns\Rnd Fluted Columns\8 Inch\8in Alum Stave Rnd Fluted.idw			