

4

3

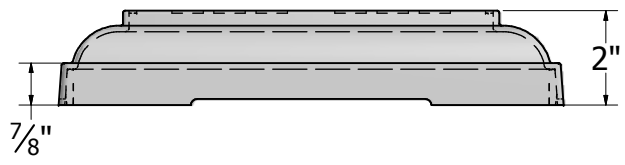
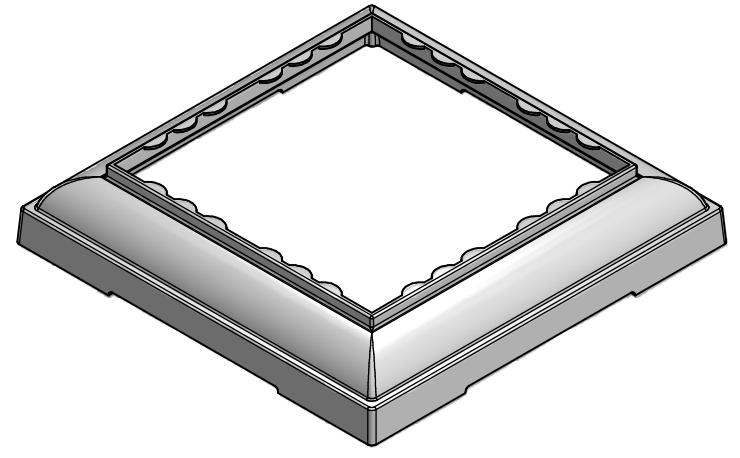
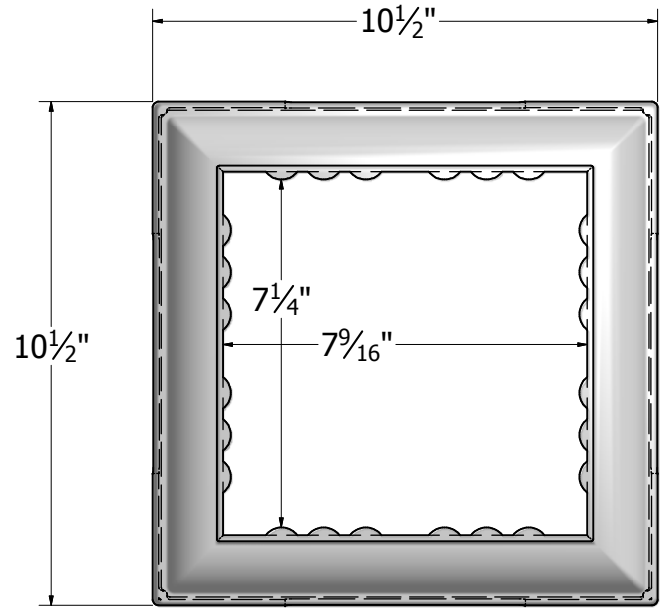
2

2

1

PART NUMBER:

REV.	REVISION	DATE
A	RELEASED TO PRODUCTION	



4

3

4

2

1

**DSI** Digger Specialties Inc.  
 3446 US 6 EAST  
 BREMEN, IN 46506  
 www.diggerspecialties.com

WEIGHT: 1.08 lbs.	DRAWN BY: FSB
STANDARD TOLERANCE: .00 ±.01 .000 ±.005 ANG. .5°~	DATE DRAWN: 9/22/2011
FRACTIONS: ± $\frac{1}{16}$ "	APPROVED BY: DATE APPR'D:
DRAFT NO. 20111103-1	FILE LOC. Z/Aluminum/DSI Columns/ Sq. Fluted columns/8 Base

MATERIAL: <b>Cast Aluminum</b>
PART NAME: BASE PLN ALUM SQ FLUTED 8"
PART NUMBER: <b>55836</b>

A