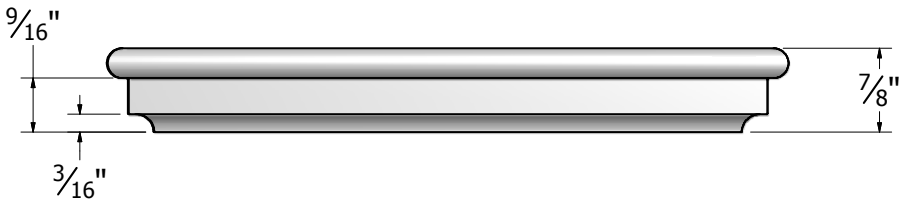
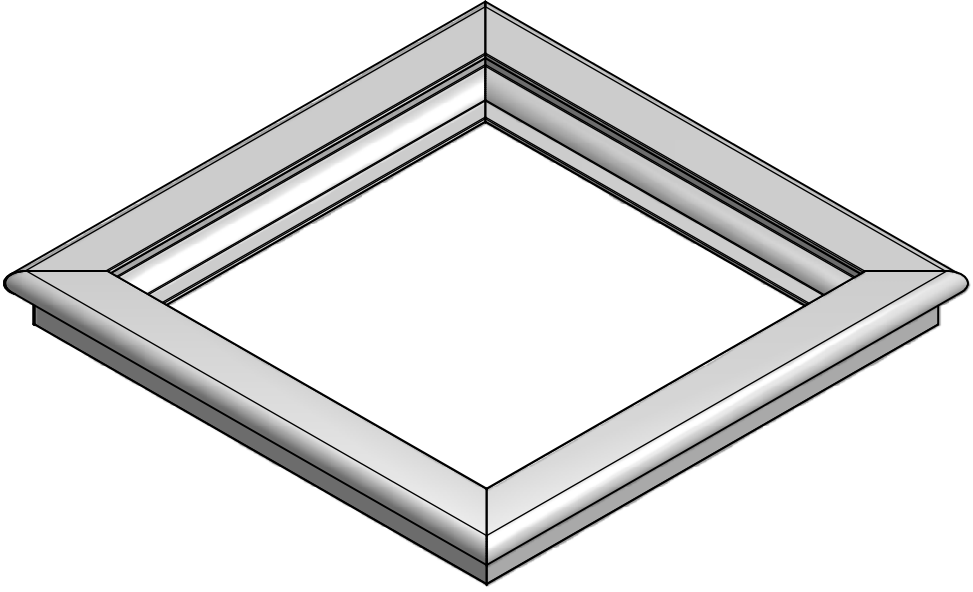
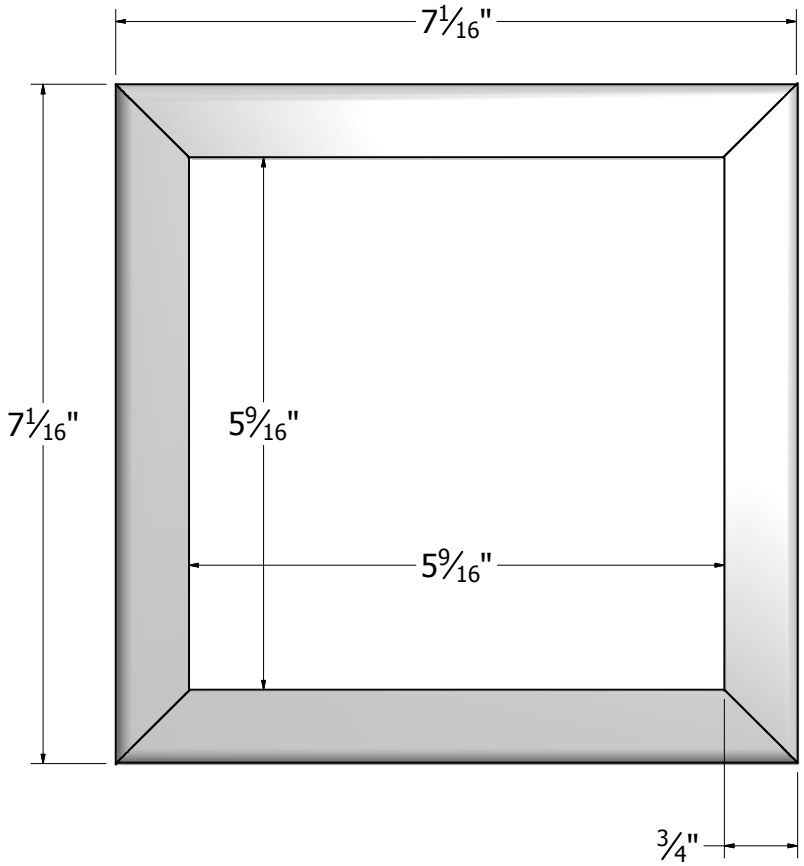



REV.	REVISION	DATE



 DSI Digger Specialties Inc. 3446 US 6 EAST BREMEN, IN 46506 www.diggerspecialties.com	WEIGHT: .36 lbs.	DRAWN BY: fsb	MATERIAL:	
	STANDARD TOLERANCE: .00 ~ .01 .000 ~ .005 ANG. ~ .5~	DATE DRAWN: 2/24/2012	Aluminum PART NAME: 6in. Sq. Smooth Astragal	
	FRACTIONS: $\pm \frac{1}{16}$ "	DRAFT NO. 20120201-1		
	FILE LOC: Z:\Aluminum\DSI Columns\Sq. Plain Columns\6 Inch\6in.Square Smooth Astragal.idw		PART NUMBER:	REV.
		55842		