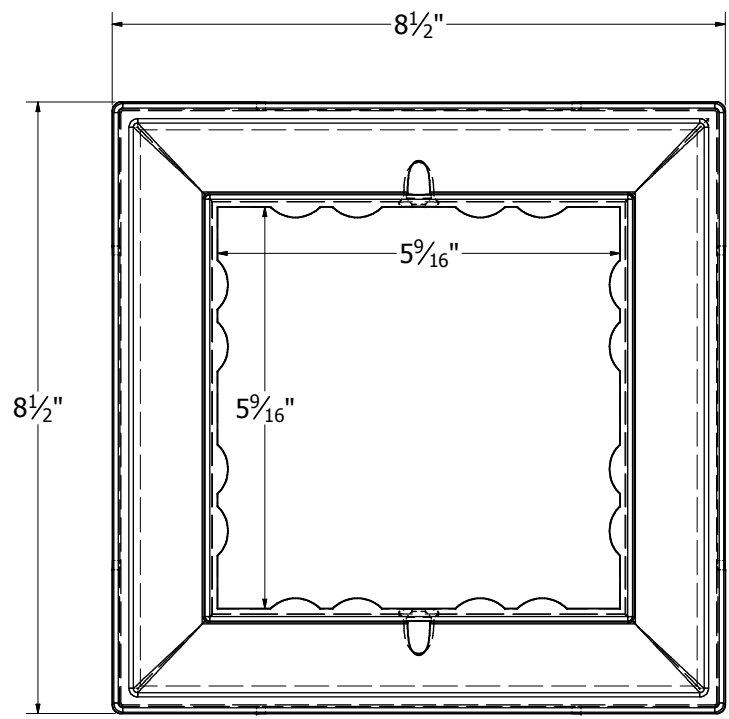
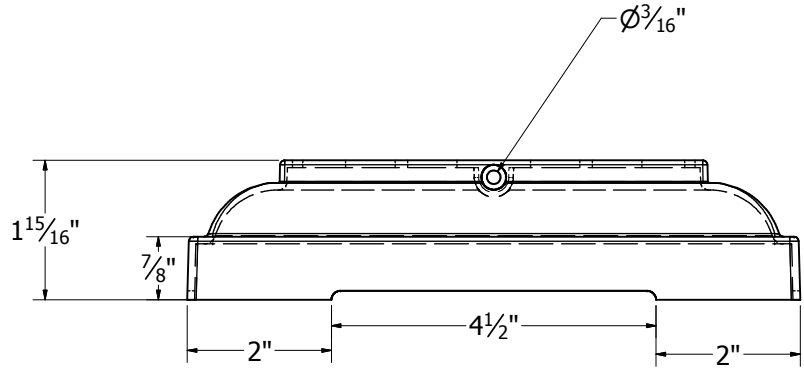
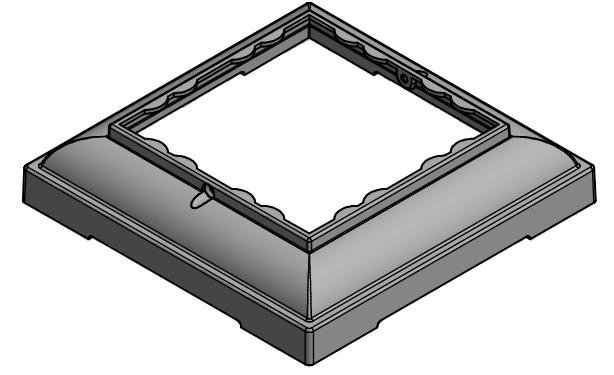



REV.	DESCRIPTION	DATE
A	Changed dim of flute centerline & depth to match stave.	04/21/2014



Volume - 8.135 in³

 DSI Digger Specialties Inc. 3446 US 6 EAST BREMEN, IN 46506 www.diggerspecialties.com	WEIGHT: .814 lbs/Ea	DRAWN BY: WJM	MATERIAL:	
	STANDARD TOLERANCE: .00 .01 .000 .005 ANG. .5~	DATE DRAWN: 3/13/2014	A360 Cast Aluminum	
	FRACTIONS: ± 1/16"	DRAFT NO. 20140313-1W	PART NAME: 55835 6in.Sq.Fluted Base.idw	
	FILE LOC: Z:\Aluminum\DSI Columns\Sq. Fluted Columns\6 Inch\55835 6in.Sq.Fluted Base.idw		PART NUMBER: 55835	REV. A