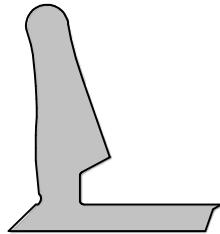
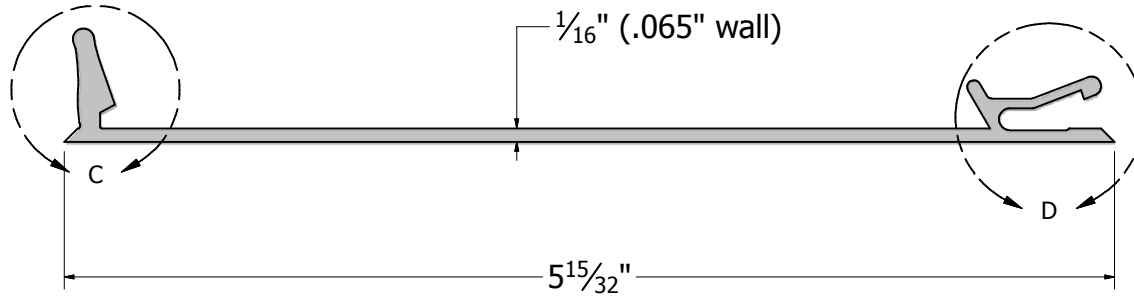
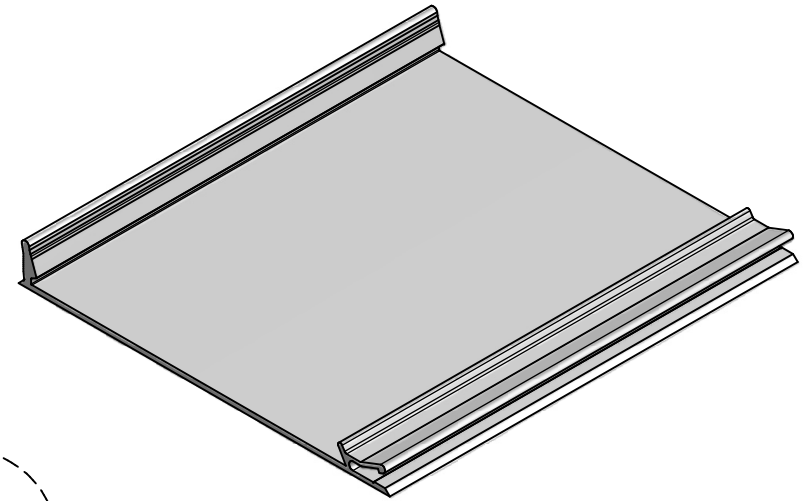
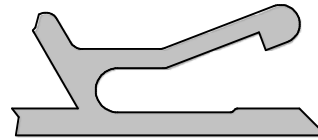


REV.	REVISION	DATE




DETAIL C  
SCALE 4 : 1



DETAIL D  
SCALE 4 : 1

Length	Part #
8'	55826
9'	55827
10'	55828

 <p><b>DSI Digger Specialties Inc.</b></p> <p>3446 US 6 EAST BREMEN, IN 46506 www.diggerspecialties.com</p>	WEIGHT: .594 lb/ft. STANDARD TOLERANCE: .00 ~ .01 .000 ~ .005 ANG. ~ .5~ FRACTIONS: ± 1/16"	DRAWN BY: fsb DATE DRAWN: 2/20/2012 DRAFT NO. 20120220-1	MATERIAL: Aluminum
	FILE LOC: Z:\Aluminum\DSI Columns\Sq. Plain Columns\6 Inch\6in. Alum Stave SQ. Smooth.idw	PART NAME: 6in. Alum Stave SQ. Smooth	PART NUMBER: See Chart