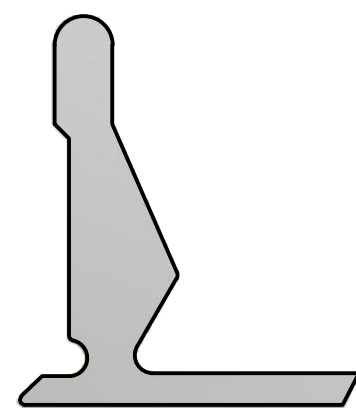
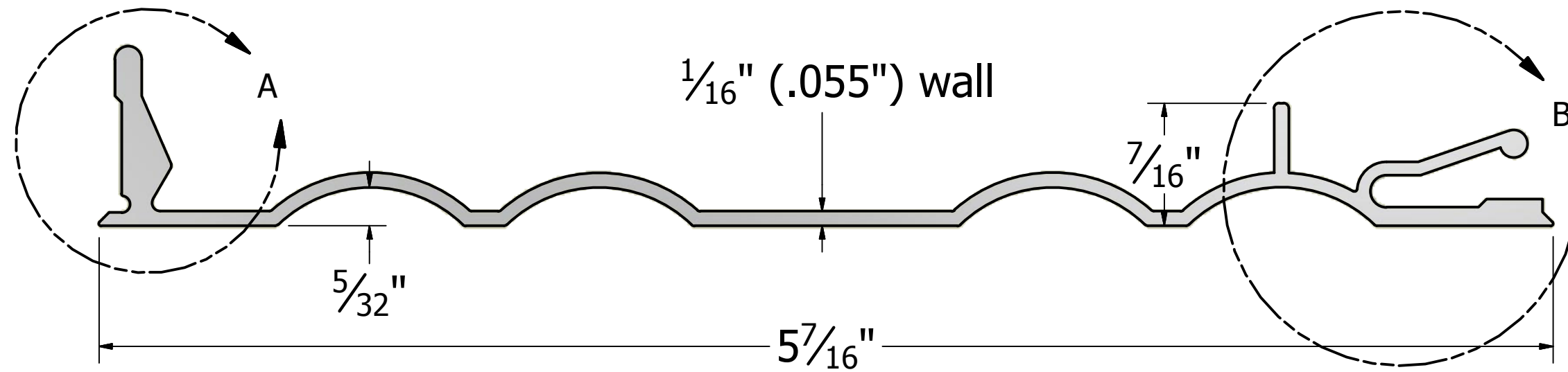
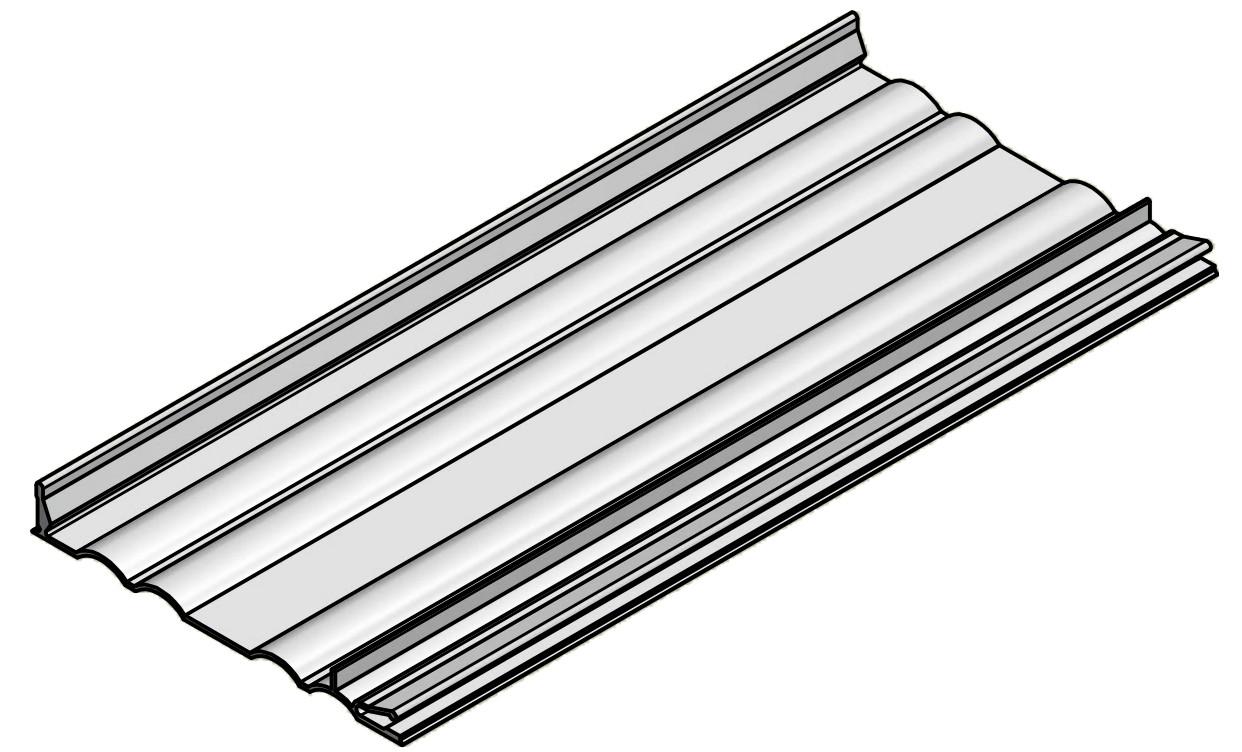
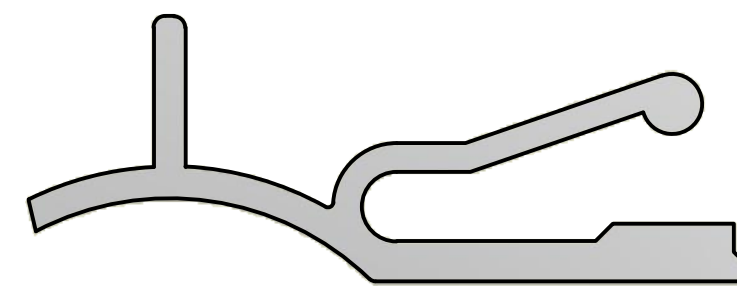


REV.	DESCRIPTION	DATE
A	Replaced staves with profile # 94248	04-25-2016



DETAIL A  
SCALE 3 : 1



DETAIL B  
SCALE 3 : 1

Length	Part #
8'	55817
9'	55818
10'	55819

**DSI Digger Specialties Inc.**  
 3446 US 6 EAST  
 BREMEN, IN 46506  
 www.diggerspecialties.com

WEIGHT: .552 lbs/ft	DRAWN BY: fsb
STANDARD TOLERANCE: .00 \ .01 .000 \ .005 ANG. ° .5~	DATE DRAWN: 2/17/2012
FRACTIONS: ± $\frac{1}{16}$ "	DRAFT NO. 20120217-1
FILE LOC: Z:\Aluminum\DSI Columns\Sq. Fluted Columns\6 Inch\Alum Stave SQ. Fluted 6.idw	

MATERIAL: <b>Aluminum</b>	
PART NAME: <b>6in. Alum Stave SQ. Fluted</b>	
PART NUMBER: <b>See Chart</b>	REV. <b>A</b>