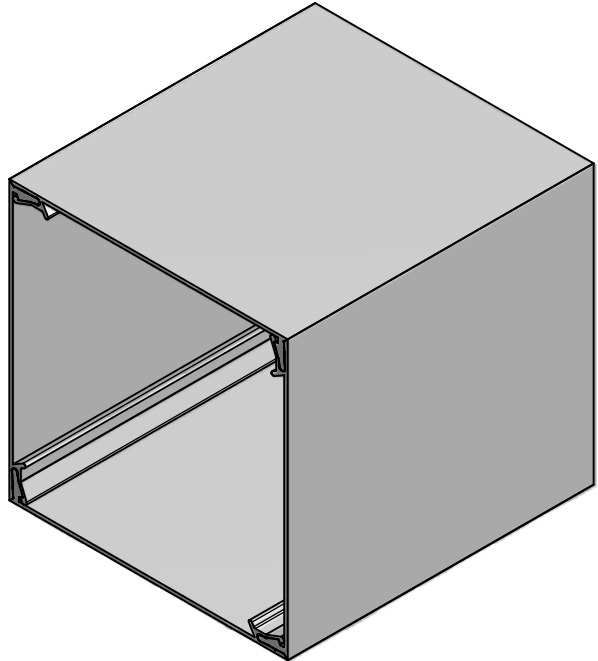
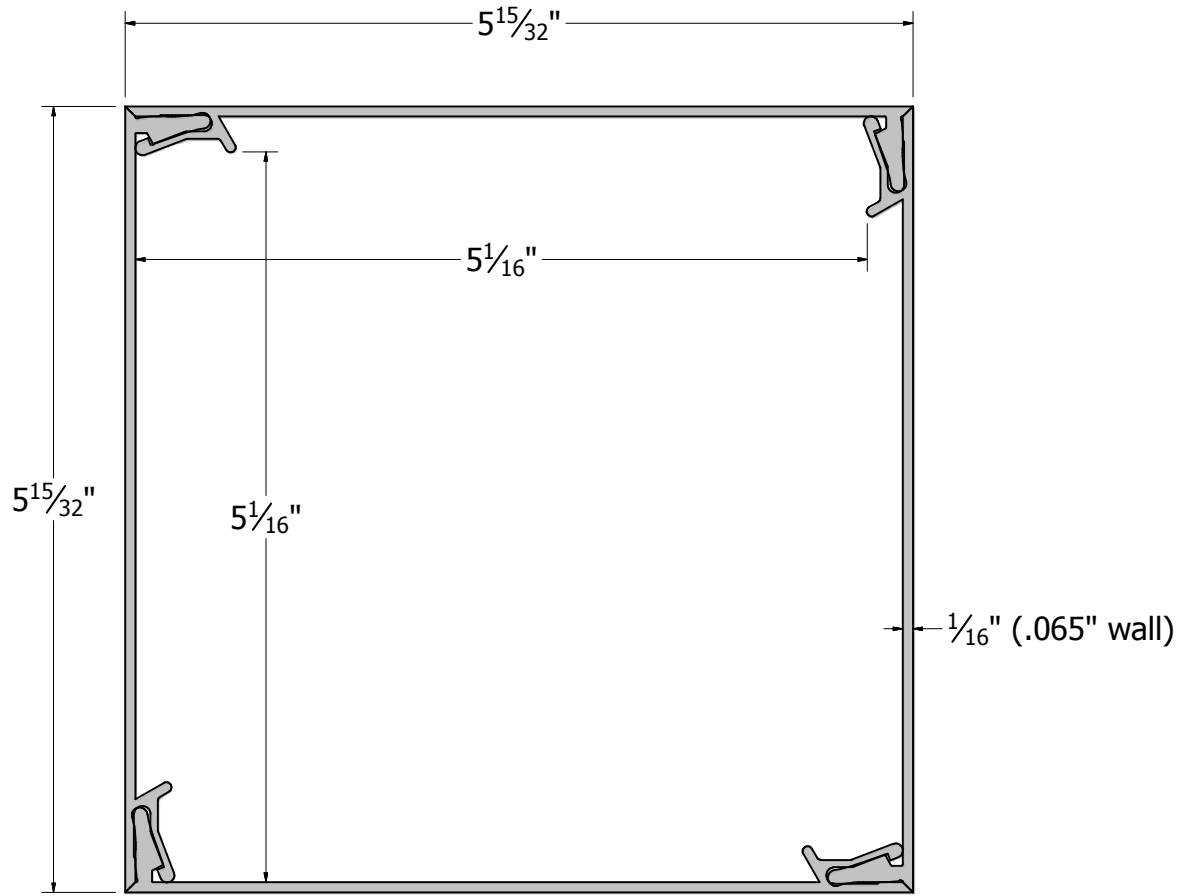



REV.	REVISION	DATE



 DSI Digger Specialties Inc. 3446 US 6 EAST BREMEN, IN 46506 www.diggerspecialties.com	WEIGHT: 2.38 lb/ft	DRAWN BY: FSB	MATERIAL:	
	STANDARD TOLERANCE: .00 ~ .01 .000 ~ .005 ANG. ~ .5~	DATE DRAWN: 2/21/2012	Aluminum	
	FRACTIONS: $\pm \frac{1}{16}$ "	DRAFT NO. 20120201-1	PART NAME: 6" Alum Column SQ. Smooth	
	FILE LOC: Z:\Aluminum\DSI Columns\Sq. Plain Columns\6 Inch\6in. Alum Column SQ.Smooth.idw		PART NUMBER: W/2 Base 53170 - 53172 No Base 53072 - 53074	REV.