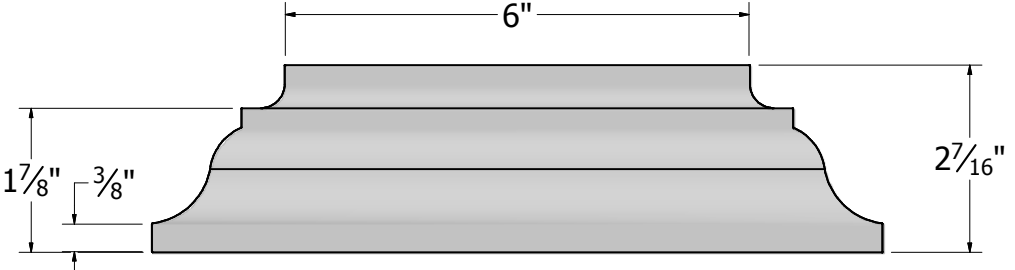
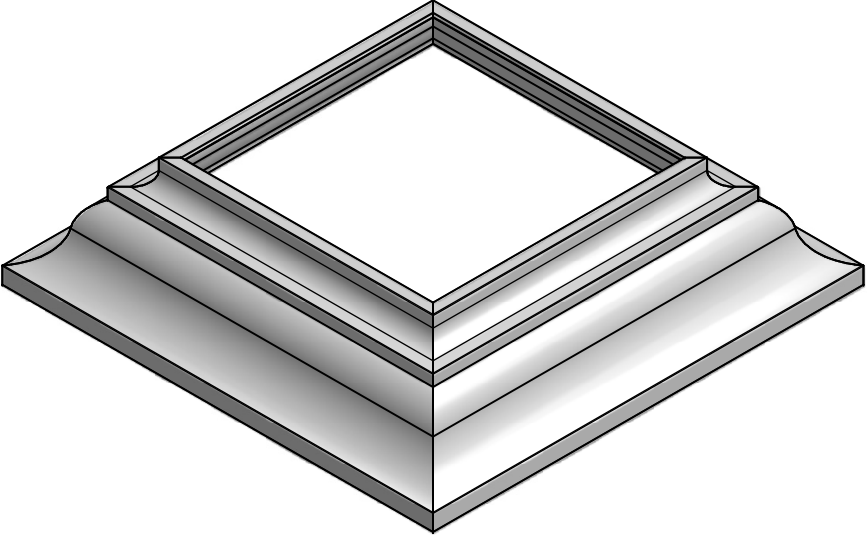
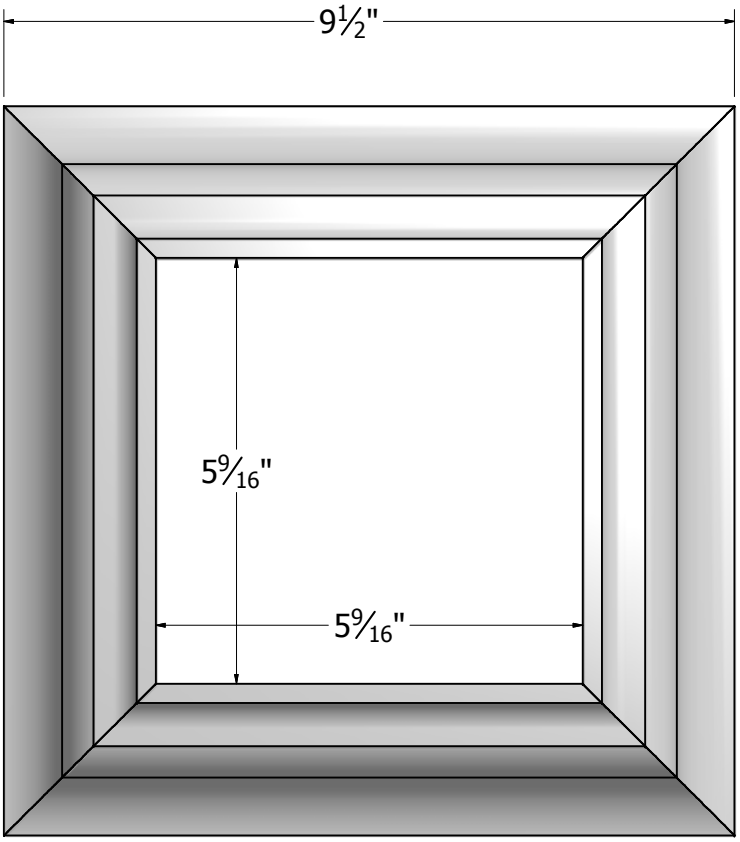


REV.	REVISION	DATE



**DSI** Digger Specialties Inc.  
 3446 US 6 EAST  
 BREMEN, IN 46506  
 www.diggerspecialties.com

WEIGHT: .92 lbs.  
 STANDARD TOLERANCE: .00 .01  
 .000 .005  
 ANG. .5°  
 FRACTIONS:  $\pm \frac{1}{16}"$   
 DATE DRAWN: 2/24/2012  
 DRAFT NO. 20120201-1  
 FILE LOC: Z:\Aluminum\DSI Columns\6in Std. Capital.idw

MATERIAL: Aluminum  
 PART NAME: 6in. Sq. Smooth Capital  
 PART NUMBER: 55840

