

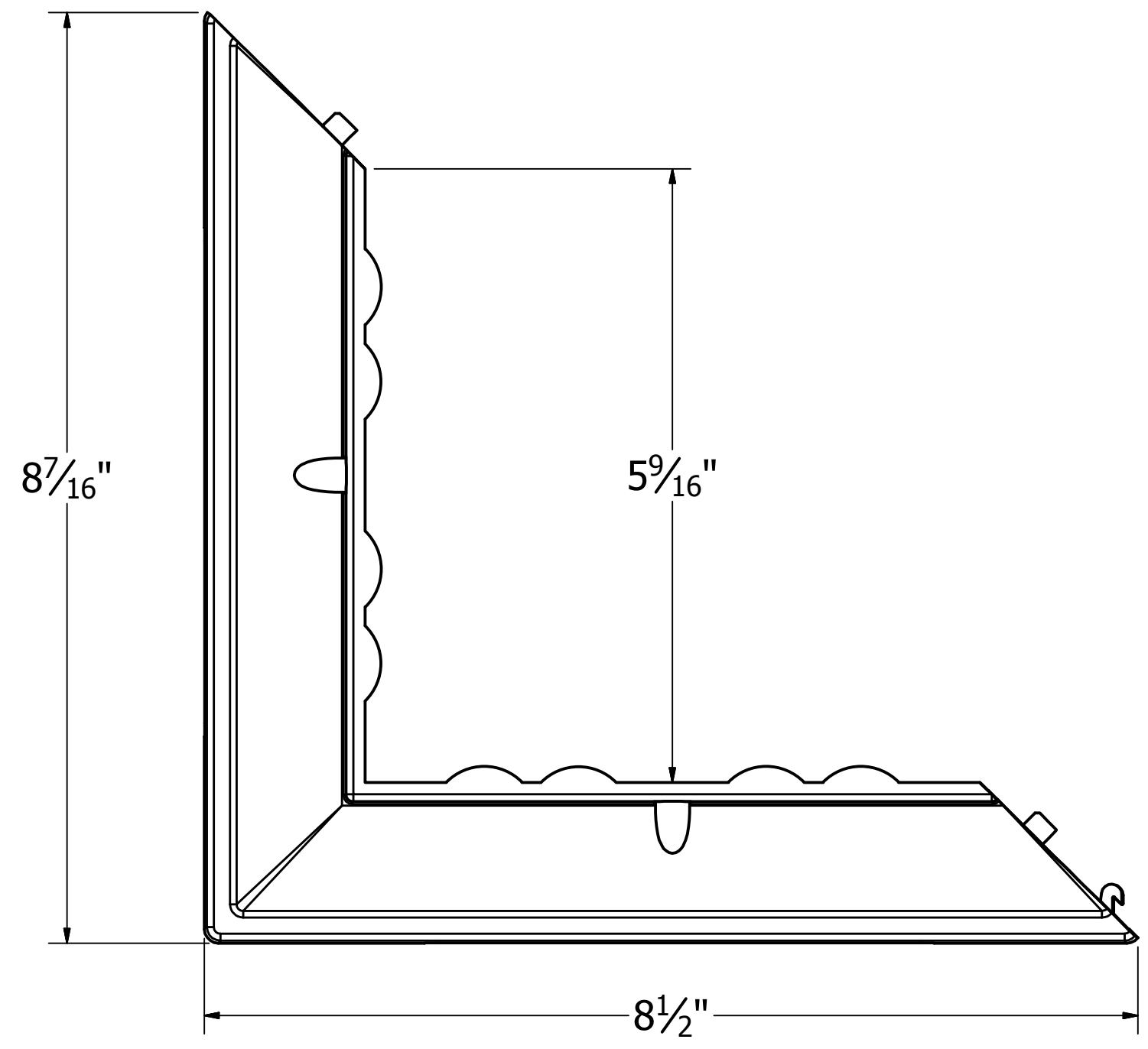
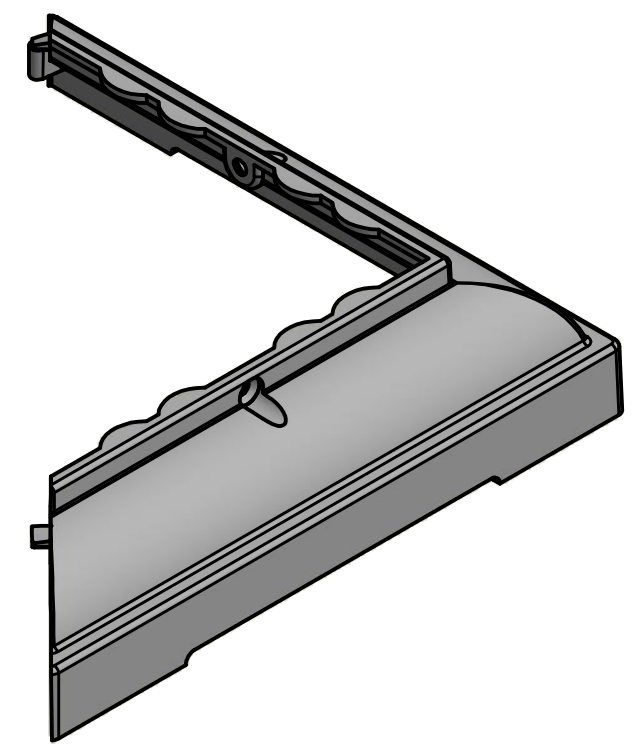
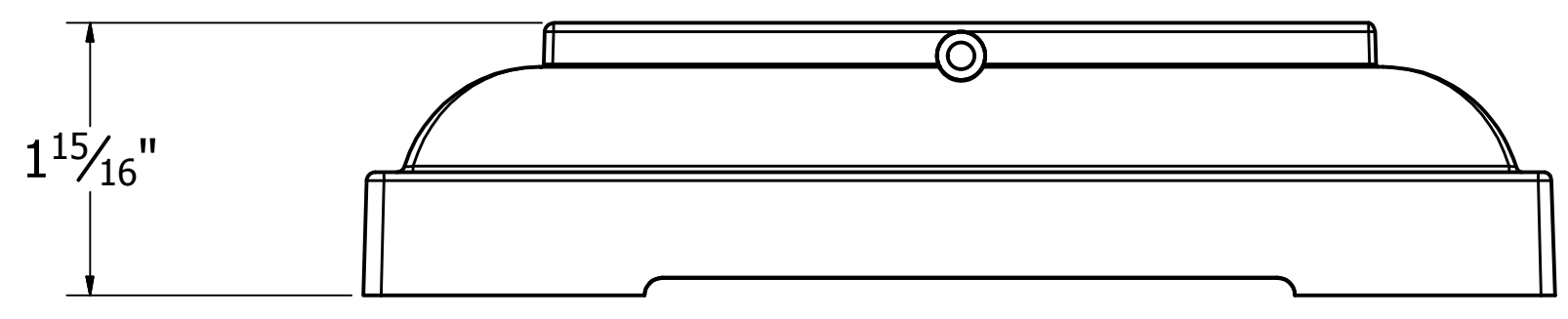
4

3

2

1

REV.	DESCRIPTION	DATE



DSI Digger
Specialties
Inc.

3446 US 6 EAST
BREMEN, IN 46506
www.diggerspecialties.com

WEIGHT: .395 lbs/Ea

STANDARD TOLERANCE:
.00 \ .01
.000 \ .005
ANG. \ .5~

FRACTIONS: ± 1/16"

DRAWN BY: WJM

DATE DRAWN:
9/12/2016

DRAFT NO. 20160912-1W

MATERIAL:
A360 Cast Aluminum

PART NAME:
55945 6in.Sq.Fluted Split Base.idw

PART NUMBER:
55945

REV.

4

3

2

1

D

D

C

C

B

B

A

A