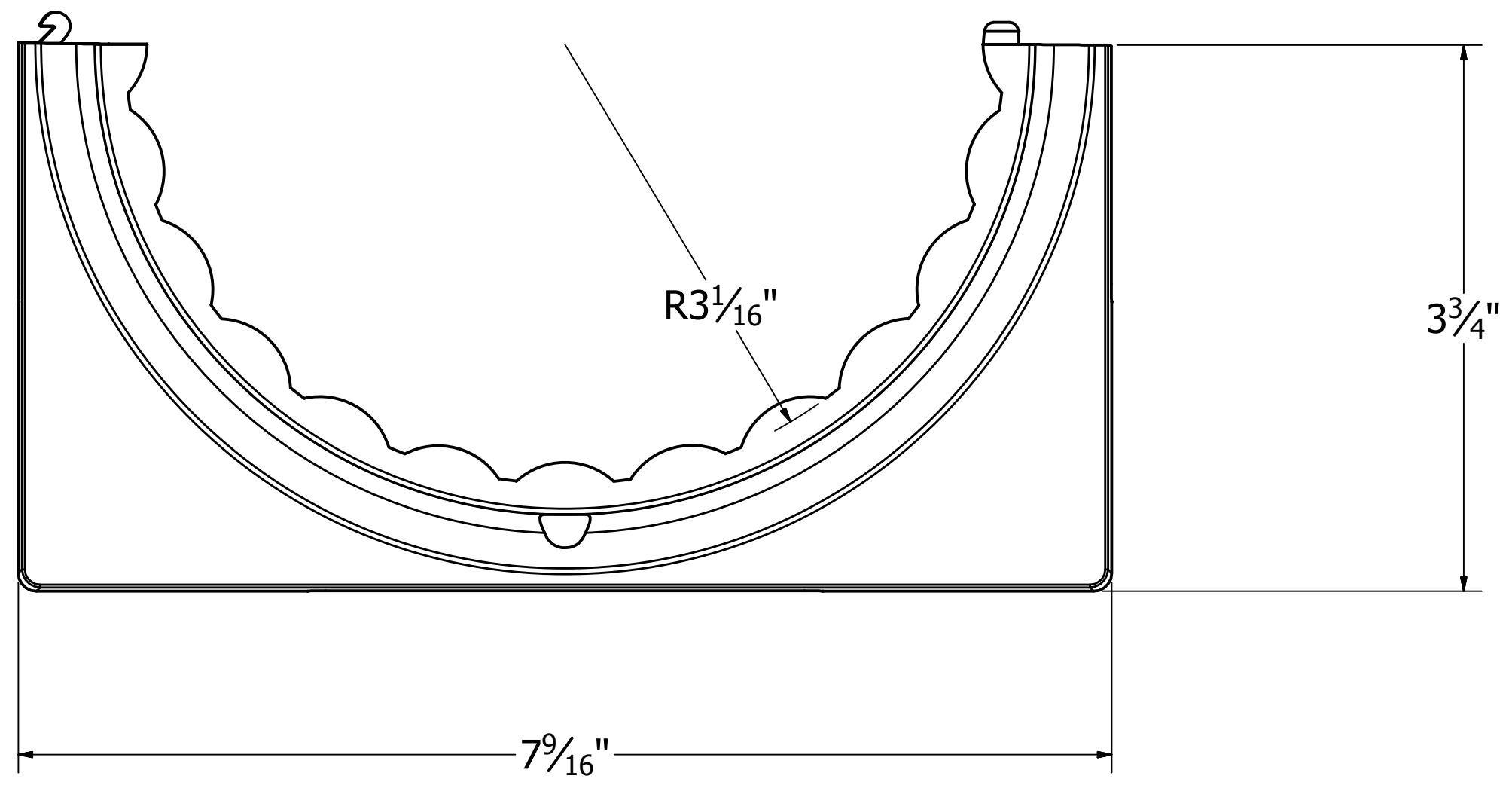
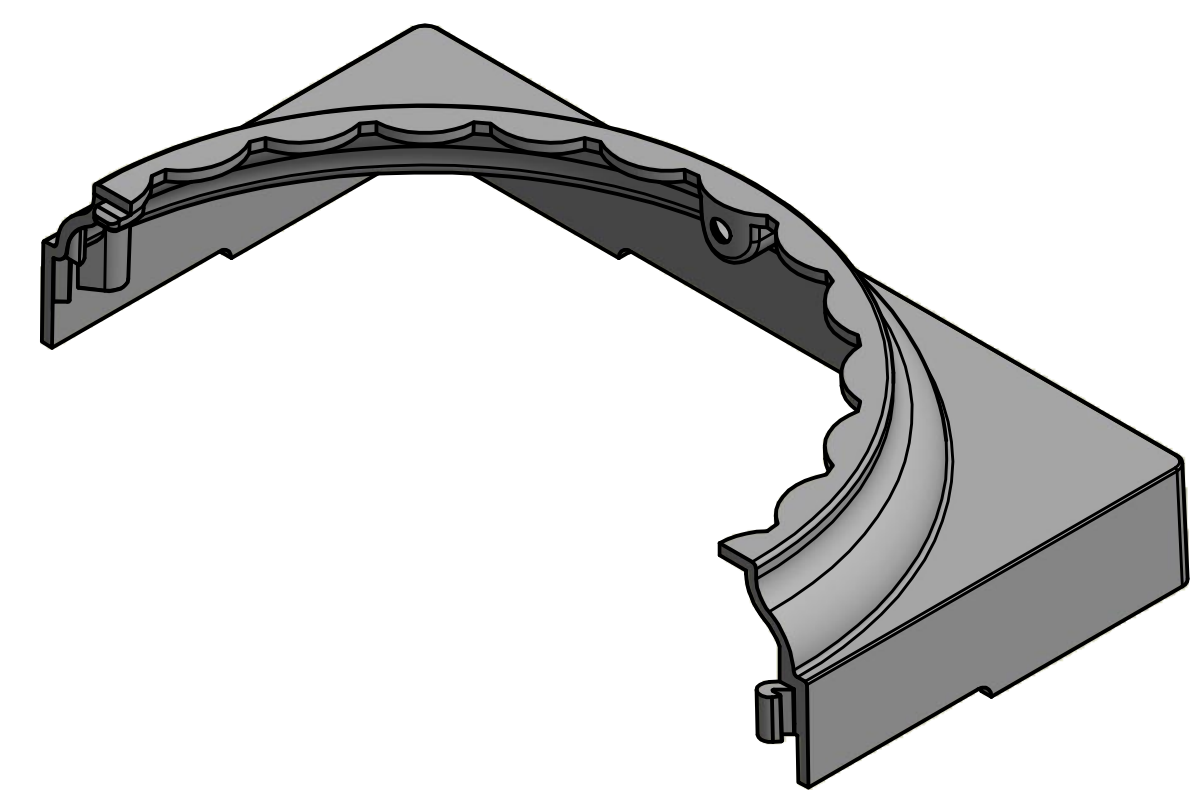
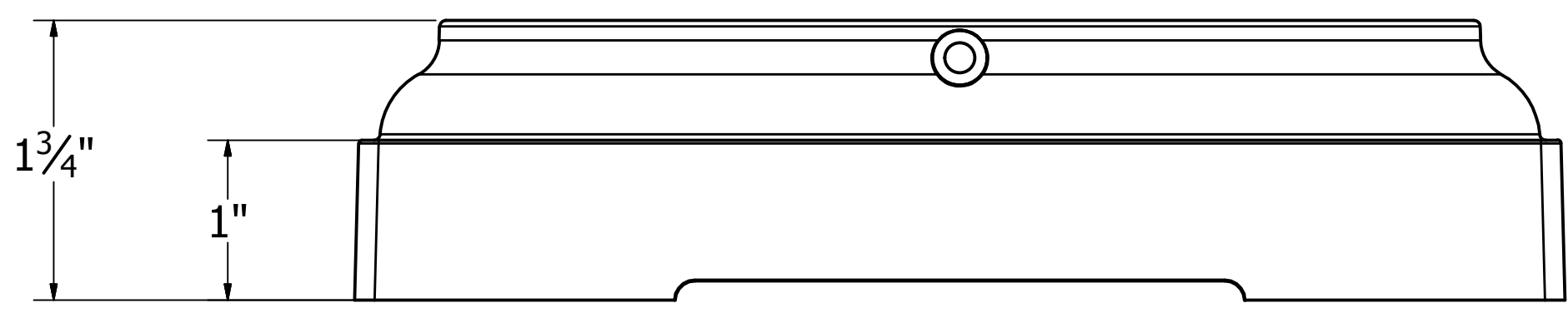



REV.	DESCRIPTION	DATE



 <p>DSI Digger Specialties Inc.</p> <p>3446 US 6 EAST BREMEN, IN 46506 www.diggerspecialties.com</p>	WEIGHT: .321 lbs/Ea	DRAWN BY: WJM	MATERIAL: Cast Aluminum
	STANDARD TOLERANCE: .00 \ .01 .000 \ .005 ANG. \ .5~	DATE DRAWN: 9/9/2016	PART NAME: 55942 6in. Rnd Fluted Split Base.idw
	FRACTIONS: ± 1/16"	DRAFT NO. 20160909-1W	PART NUMBER: 55942
	FILE LOC: Z:\Aluminum\DSI Columns\Rnd Fluted Columns\6 Inch\55942 6in. Rnd Fluted Split Base.idw	REV.	