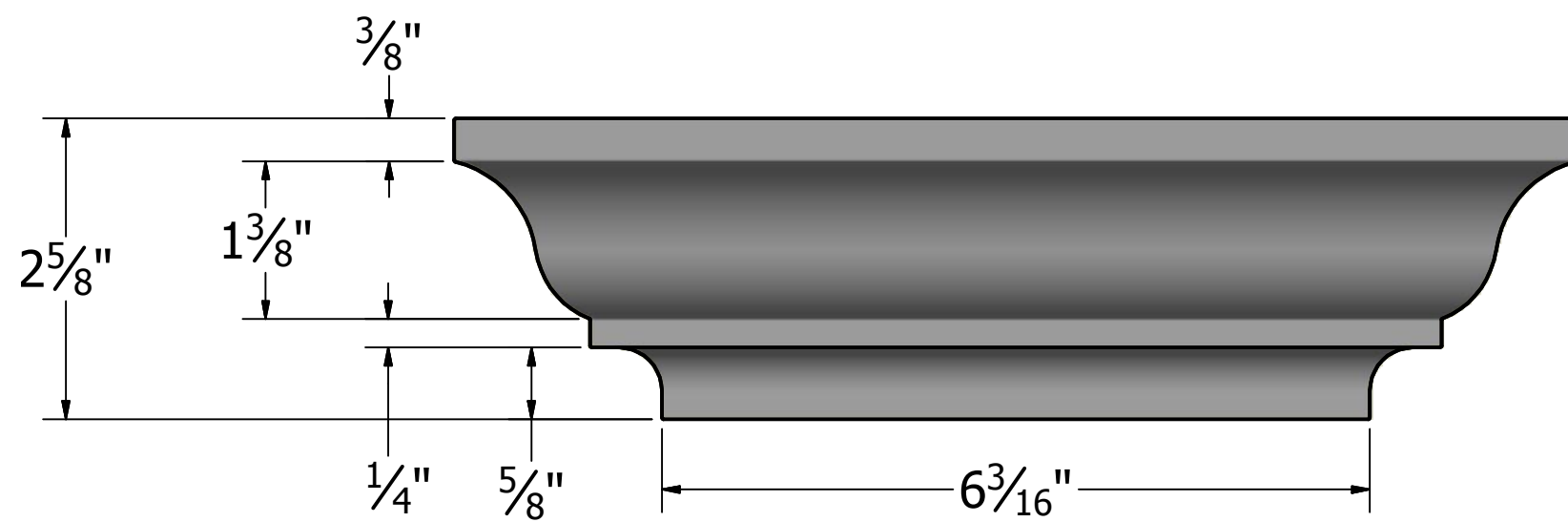
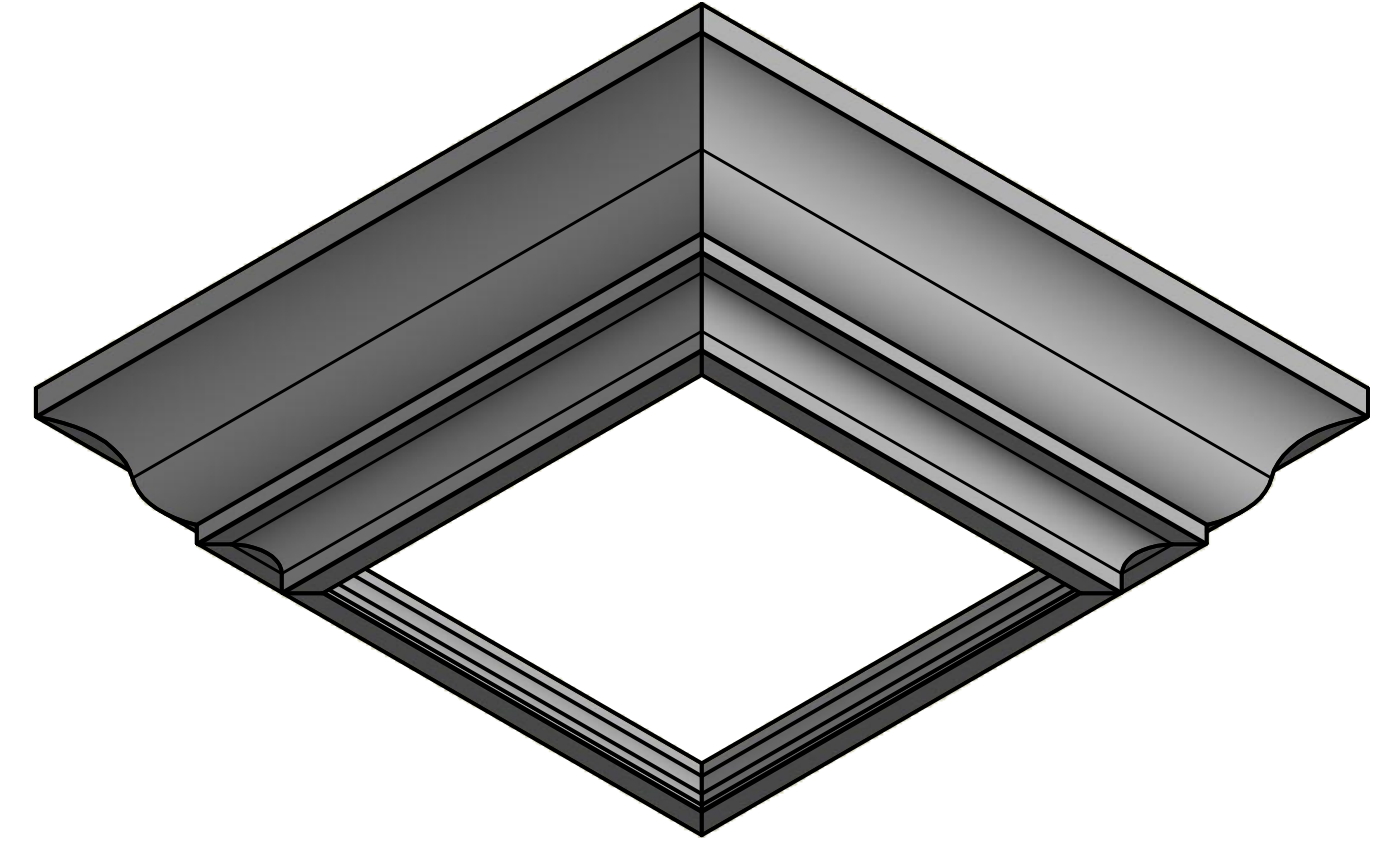
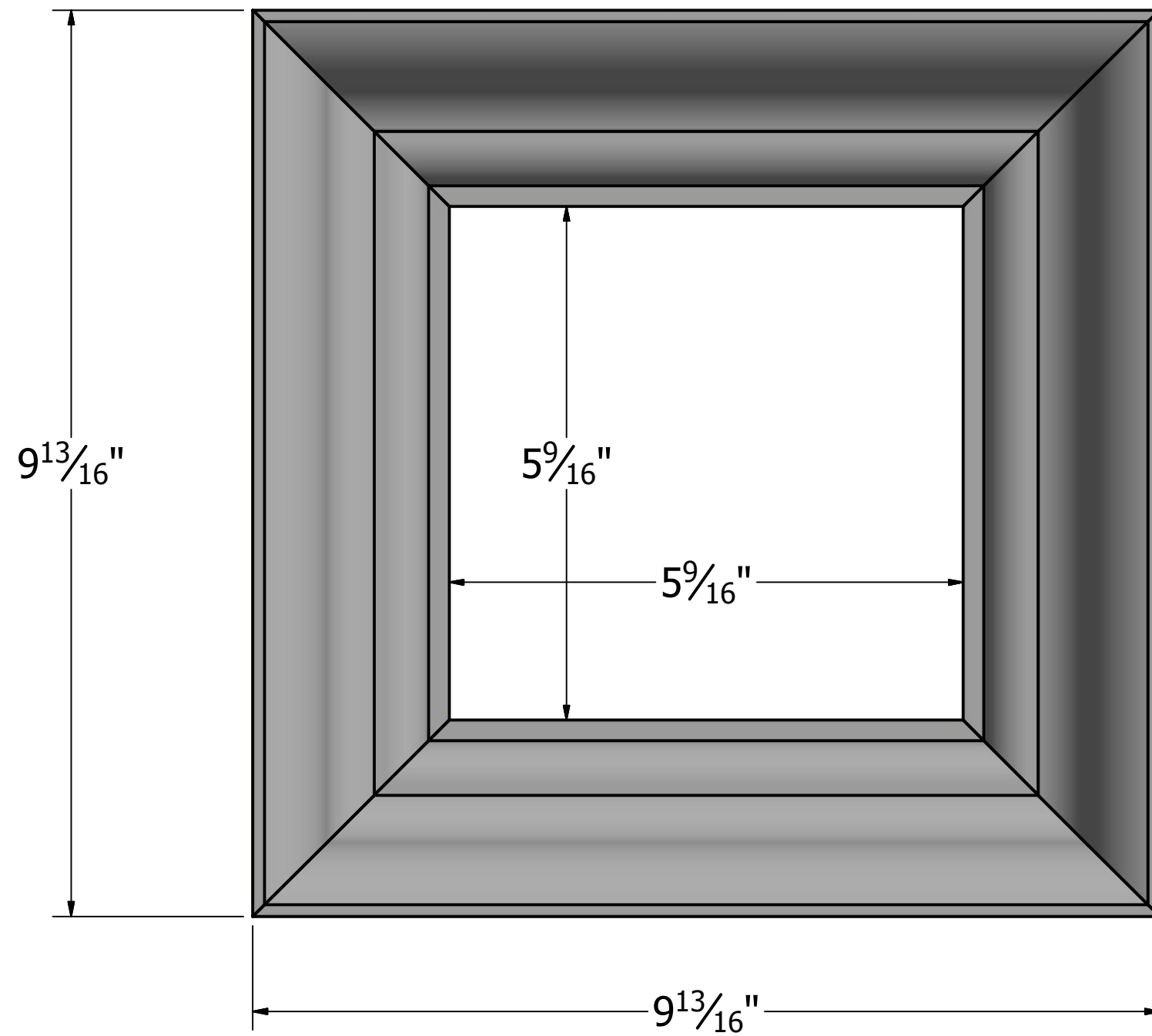


REV.	DESCRIPTION	DATE
A	Changed: overall width 9-13/16, was 9-7/16; height 2-5/8; was 2-3/8.	01/07/2016



DSI Digger Specialties Inc.
 3446 US 6 EAST
 BREMEN, IN 46506
 www.diggerspecialties.com

WEIGHT: 1.117 lb/ea	DRAWN BY: fsb
STANDARD TOLERANCE: .00 \ .01 .000 \ .005 ANG. \ .5~	DATE DRAWN: 2/24/2012
FRACTIONS: $\pm \frac{1}{16}$ "	DRAFT NO. 20120224-1F
FILE LOC: Z:\Aluminum\DSI Columns\Sq. Plain Columns\6 Inch\55840 6in Sq. Smooth Capital.idw	

MATERIAL: Aluminum	REV. A
PART NAME: 55840 6in Sq. Smooth Capital.idw	
PART NUMBER: 55840	