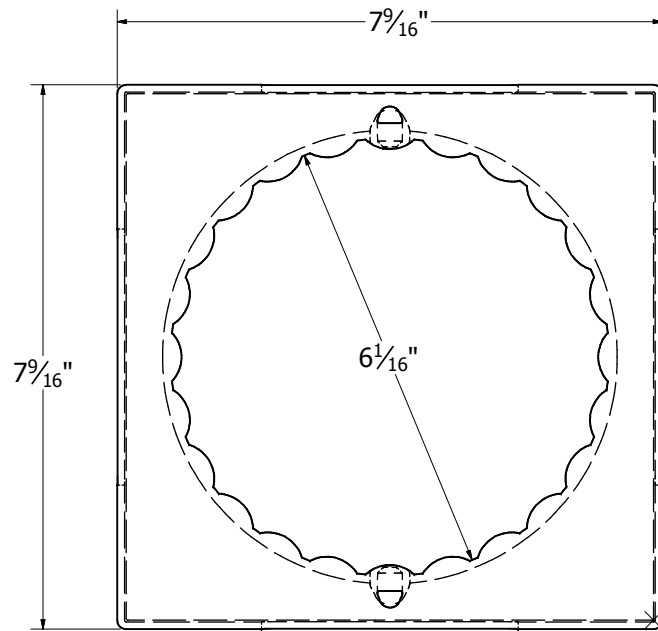
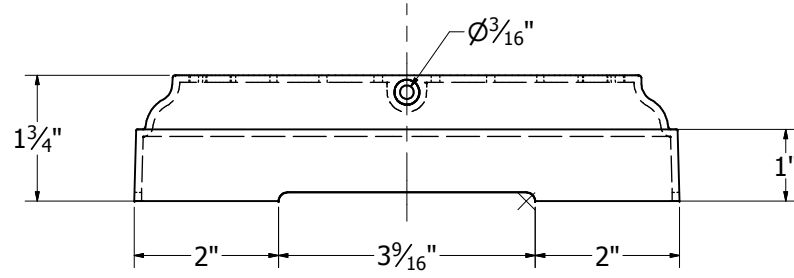
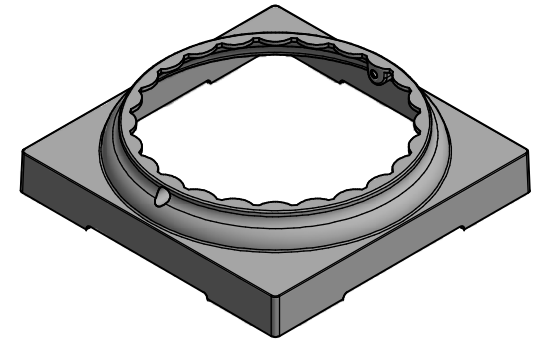



REV.	DESCRIPTION	DATE



Volume - N/A

 DSI Digger Specialties Inc. 3446 US 6 EAST BREMEN, IN 46506 www.diggerspecialties.com	WEIGHT: .645 lbs/Ea	DRAWN BY: WJM	MATERIAL:
	STANDARD TOLERANCE: .00 .01 .000 .005 ANG. .5~	DATE DRAWN: 2/13/2014	Cast Aluminum
	FRACTIONS: ± 1/16"	DRAFT NO. 20140213-1W	PART NAME: 55832 6in. Rnd Fluted Base.idw
	FILE LOC: Z:\Aluminum\DSI Columns\Rnd Fluted Columns\6 Inch\55832 6in. Rnd Fluted Base.idw	PART NUMBER: 55832	REV.