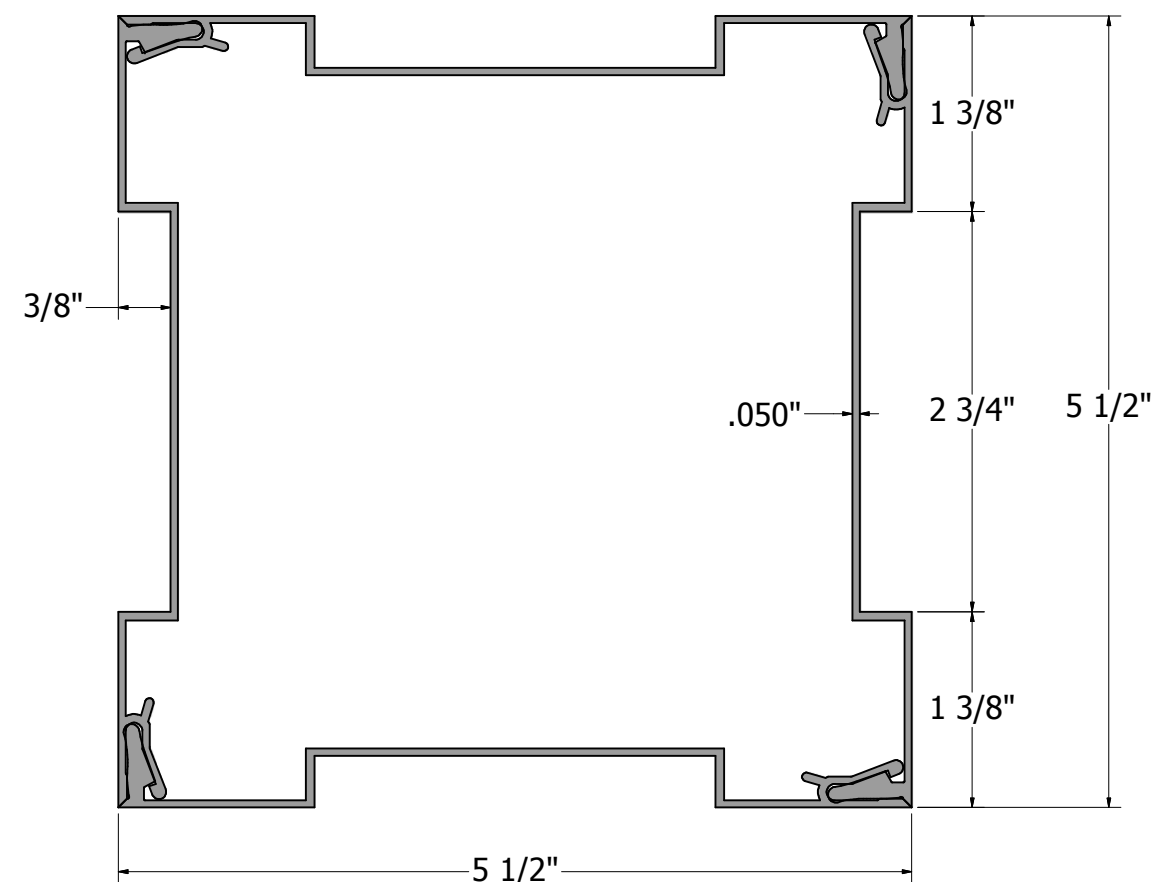
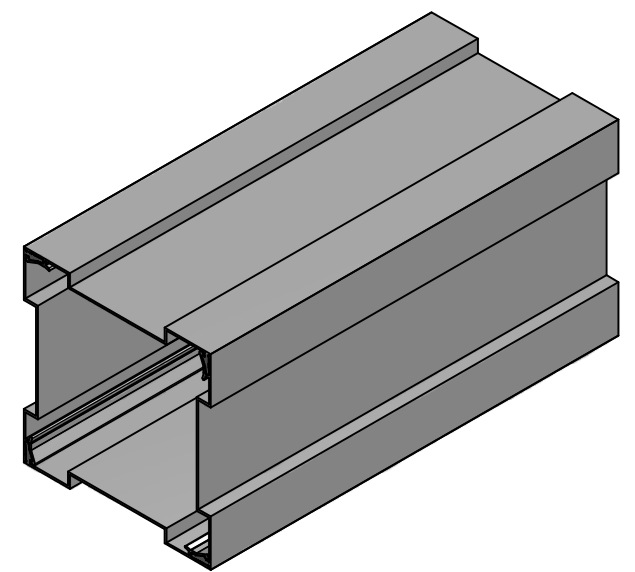


REV.	REVISION	DATE

4 3 2 1

D
C
B
A

D
C
B
A



 <p>DSI Digger Specialties Inc. 3446 US 6 EAST BREMEN, IN 46506 www.diggerspecialties.com</p>	WEIGHT: 2.088 lbs./ft STANDARD TOLERANCE: .00 .01 .000 .005 ANG. .5~ FRACTIONS: ± 1/16	DRAWN BY: WJM DATE DRAWN: 2/16/2012 DRAFT NO. 20120216-1	MATERIAL: Aluminum PART NAME: 6in.Alum Column Sq. Recessed.idw PART NUMBER: 53084 - 53086 53164 - 53166
	FILE LOC: Z:\Aluminum\DSI Columns\Sq. Recessed Columns\6 Inch\6in.Alum Column Sq. Recessed.idw	REV.	

4 3 2 1