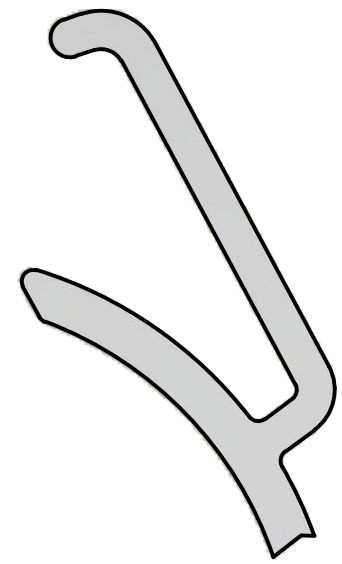
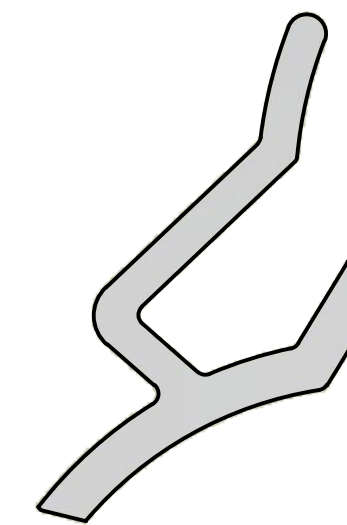
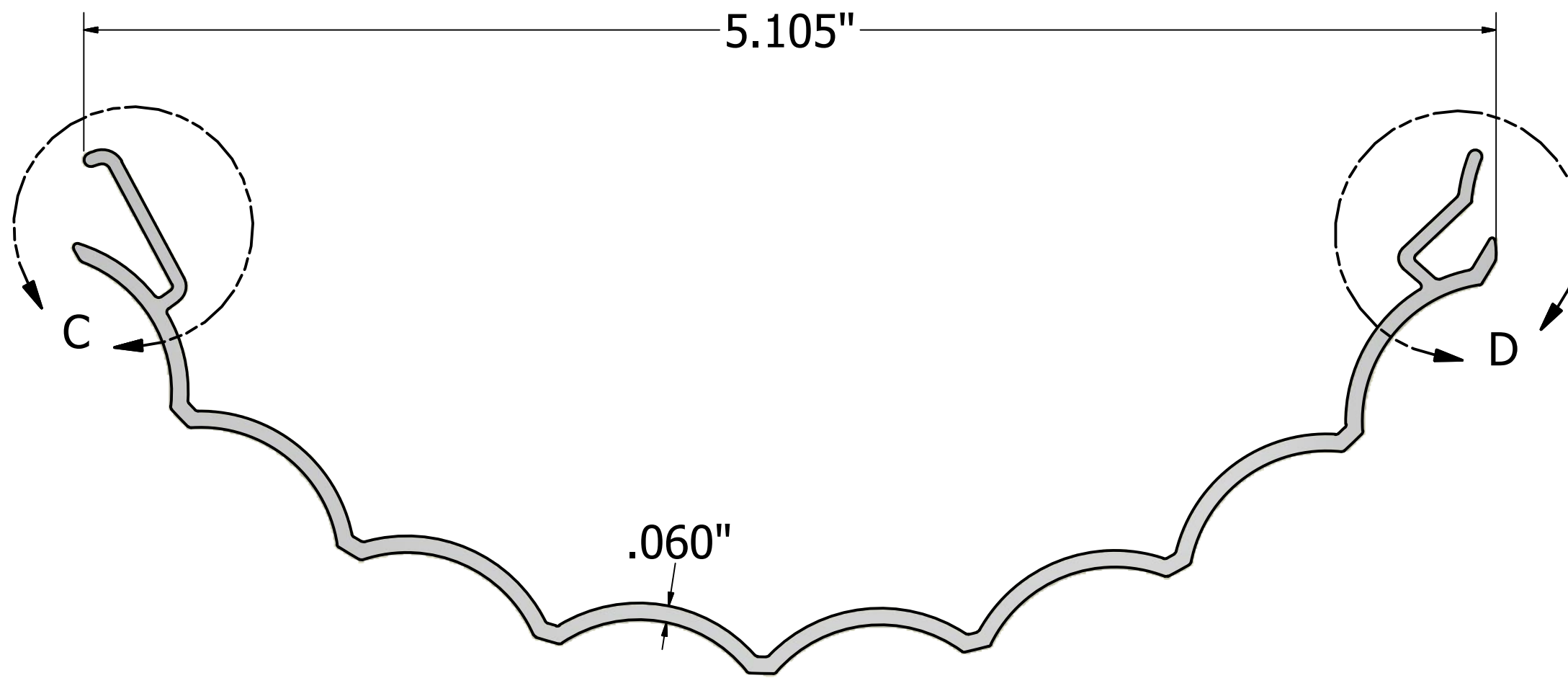
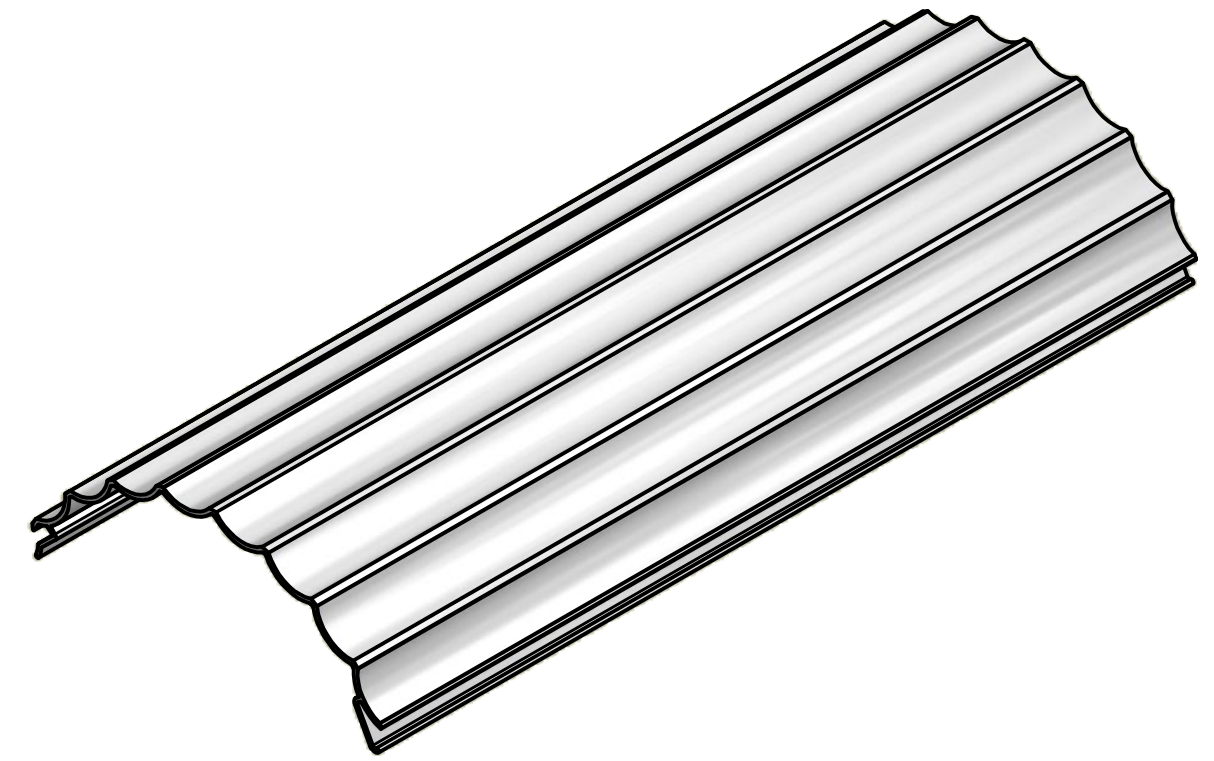


| REV. | DESCRIPTION | DATE |
|------|--------------------------------------|------------|
| A | Repalced staves with profile # 94251 | 01-15-2016 |
| | | |
| | | |



DETAIL C
SCALE 4 : 1



DETAIL D
SCALE 4 : 1

| Length | Part Number |
|---------|-------------|
| 8 feet | 55808 |
| 9 feet | 55809 |
| 10 feet | 55810 |

DSI Digger Specialties Inc.
 3446 US 6 EAST
 BREMEN, IN 46506
 www.diggerspecialties.com

| | |
|---|--------------------------|
| WEIGHT: .552 lbs./ft | DRAWN BY: WJM |
| STANDARD TOLERANCE: .00 \ .01 .000 \ .005 ANG. \ .5~ | DATE DRAWN: 2/16/2012 |
| FRACTIONS: ± 1/16" | DRAFT NO. 20120216-1 |
| FILE LOC: Z:\Aluminum\DSI Columns\Rnd Fluted Columns\6 Inch\6in Alum Stave Rnd Fluted.idw | |

| | |
|---|------------------|
| MATERIAL: Aluminum | |
| PART NAME: 6in Alum Stave Rnd Fluted.idw | |
| PART NUMBER: See Chart | REV. A |