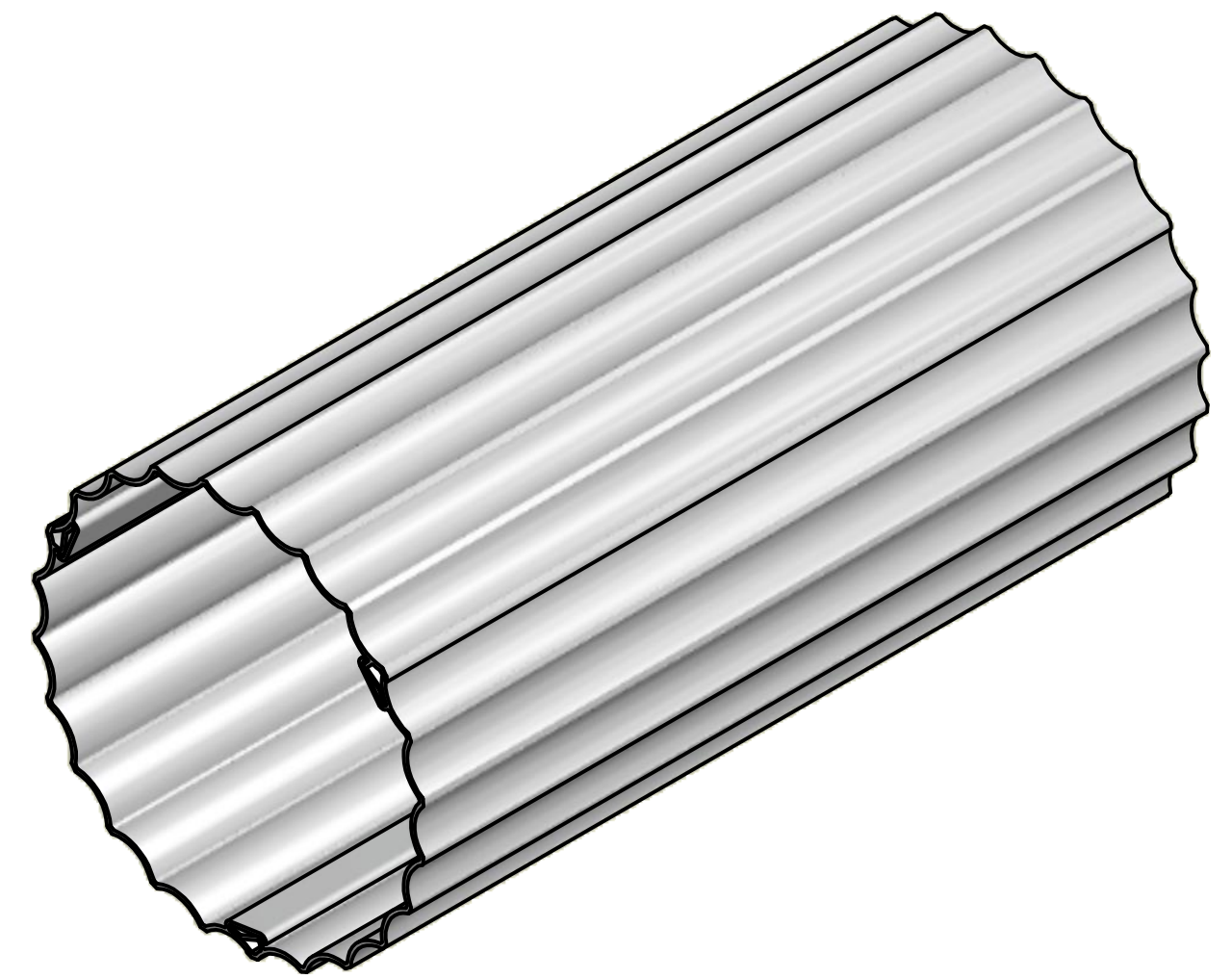
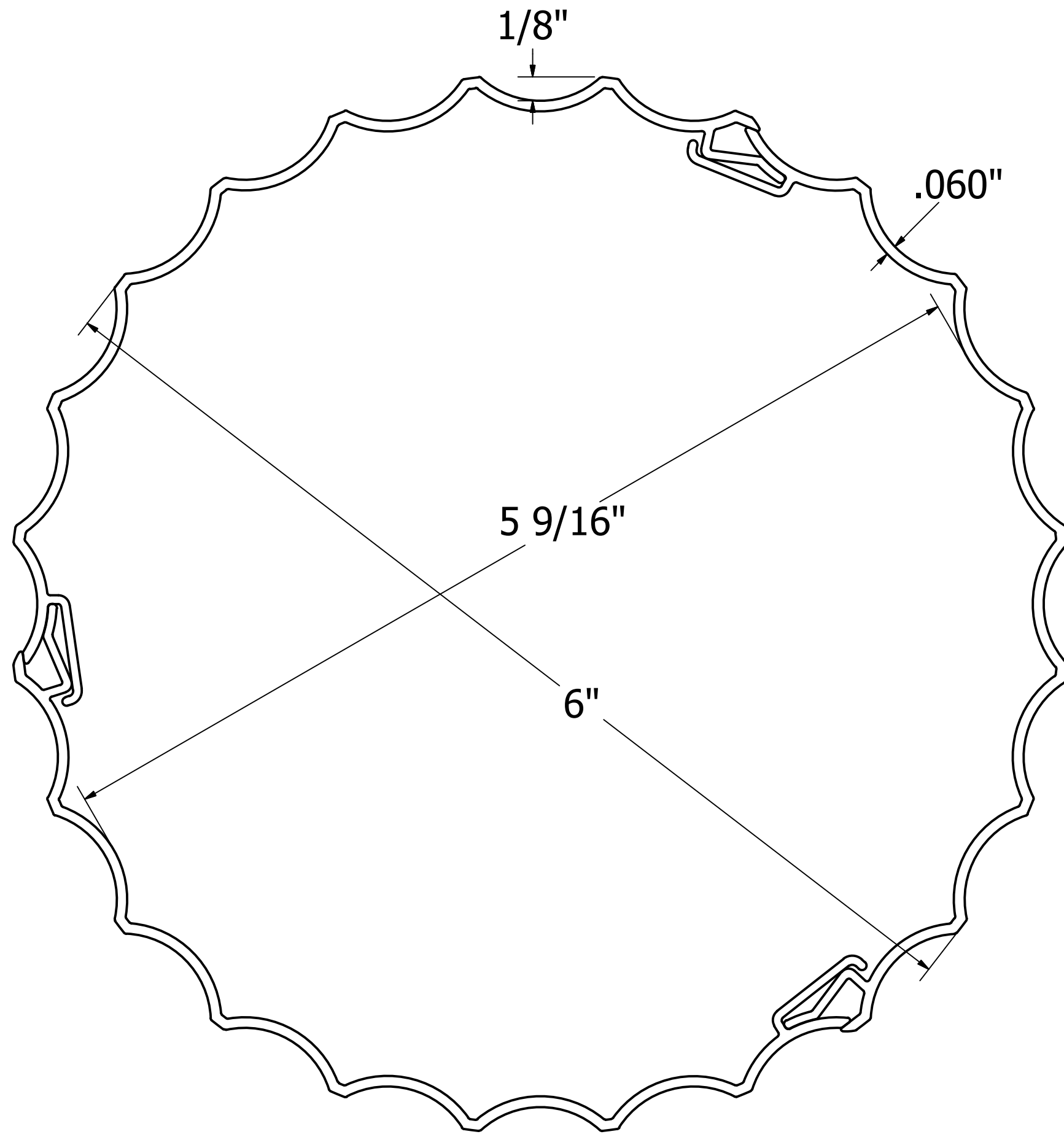


REV.	DESCRIPTION	DATE
A	Replaced staves with profile # 94251	01-15-2016




DSI Digger Specialties Inc.
 3446 US 6 EAST
 BREMEN, IN 46506
www.diggerspecialties.com

WEIGHT: 1.656 lbs./ft.	DRAWN BY: WJM
STANDARD TOLERANCE: .00 \ .01 .000 \ .005 ANG. °.5~	DATE DRAWN: 2/16/2012
FRACTIONS: ± 1/16"	DRAFT NO. 20120216-1
FILE LOC: Z:\Aluminum\DSI Columns\Rnd Fluted Columns\6 Inch\6in Alum Column Rnd Fluted.idw	

MATERIAL: Aluminum
PART NAME: 6" Alum Column Rnd. Fluted
PART NUMBER: 53033 - 53038
REV. A