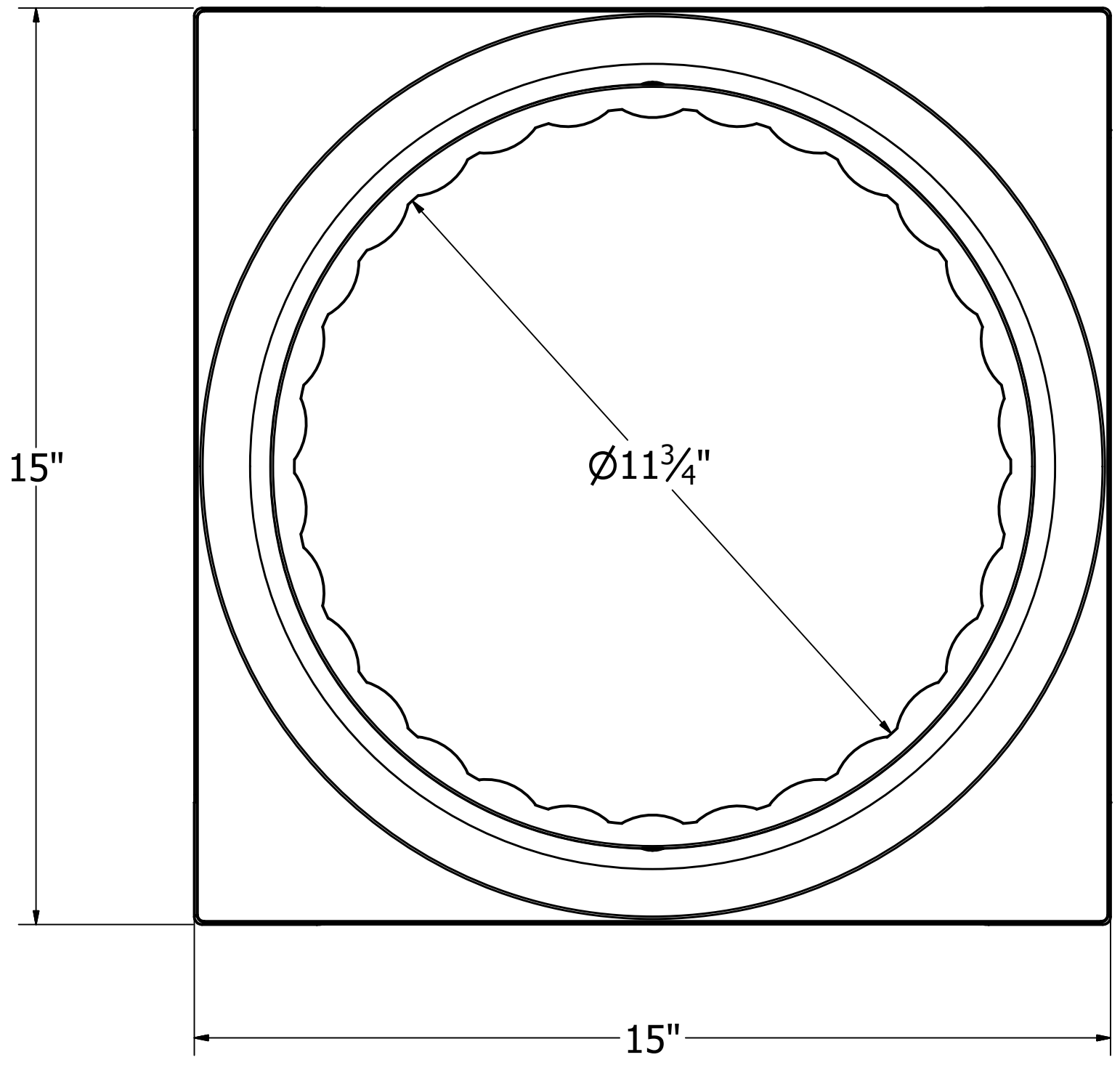
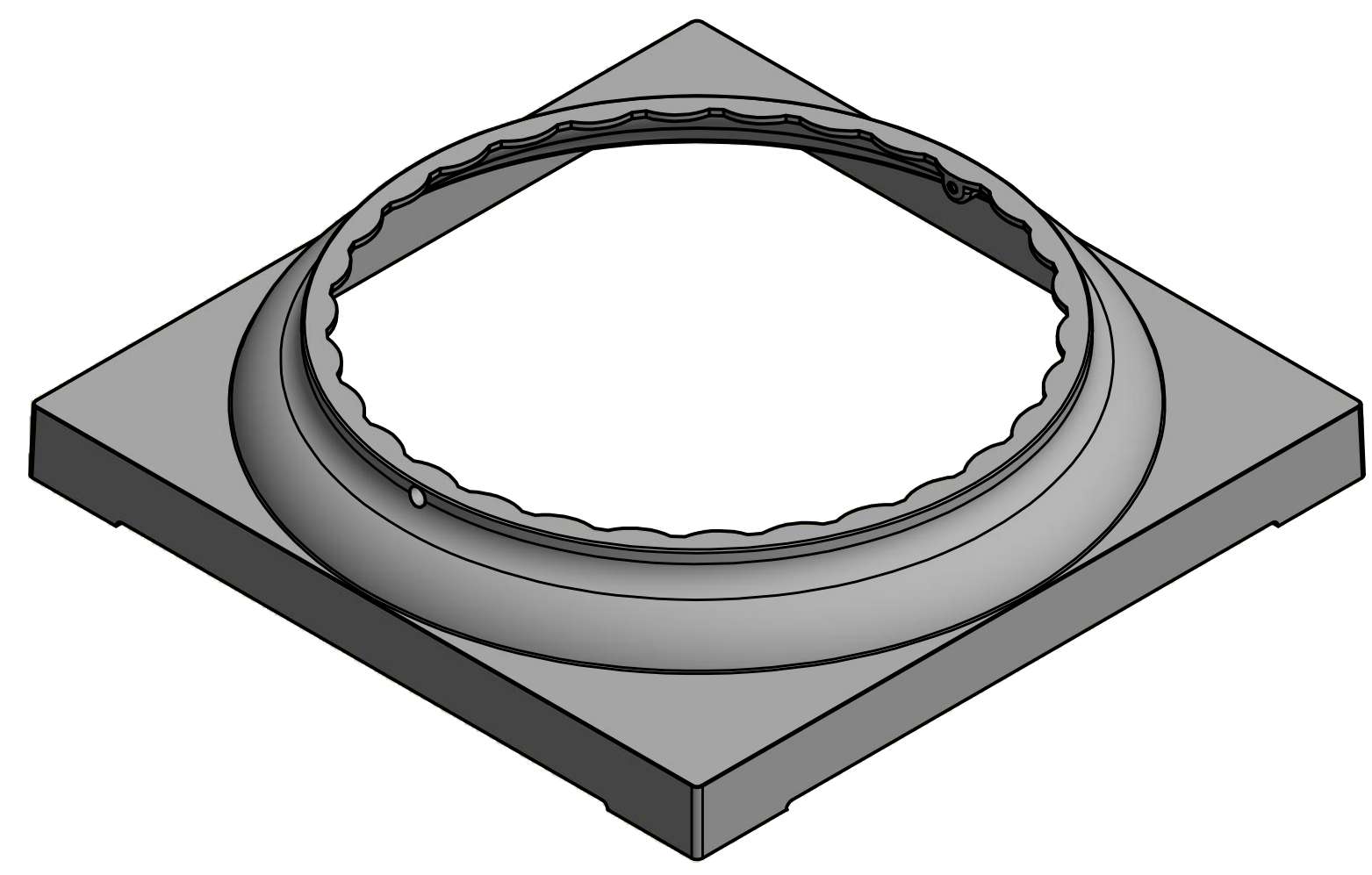
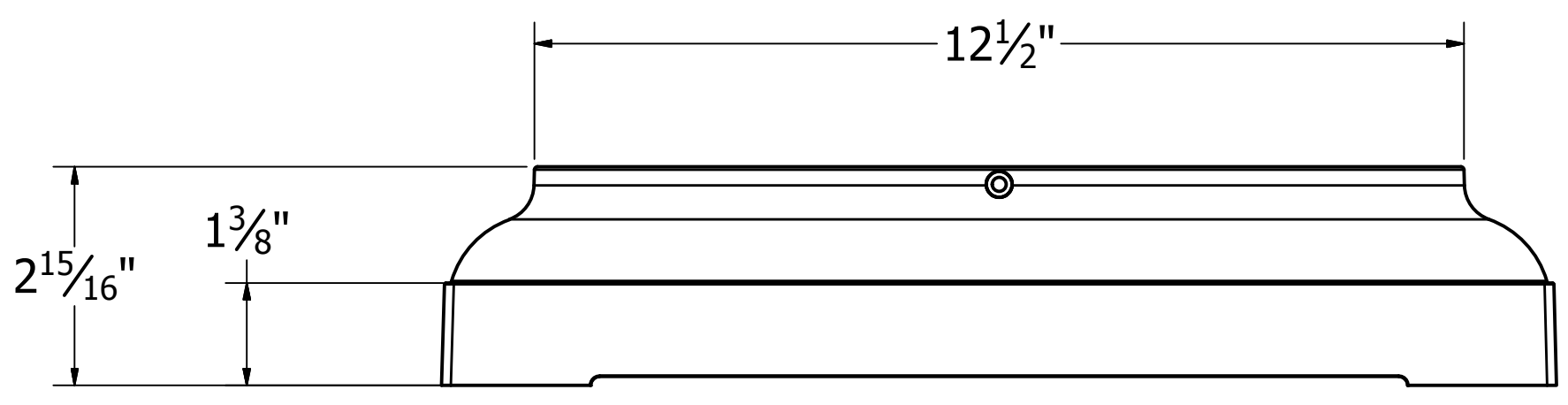



| REV. | DESCRIPTION | DATE |
|------|-------------|------|
| | | |
| | | |
| | | |



| | | | |
|---|--|--------------------------|---|
|  <p>DSI Digger Specialties Inc. 3446 US 6 EAST BREMEN, IN 46506 www.diggerspecialties.com</p> | WEIGHT: 2.698 lbs/Ea | DRAWN BY: WJM | MATERIAL: Cast Aluminum |
| | STANDARD TOLERANCE: .00 ~ .01 .000 ~ .005 ANG. ~ .5~ | DATE DRAWN: 9/12/2016 | PART NAME: 56109 12in. Rnd Fluted Base.idw |
| | FRACTIONS: $\pm \frac{1}{16}$ " | DRAFT NO. 20160912-2W | PART NUMBER: 56109 |
| | FILE LOC: Z:\Aluminum\DSI Columns\Rnd Fluted Columns\12 Inch\56109 12in. Rnd Fluted Base.idw | | REV. |