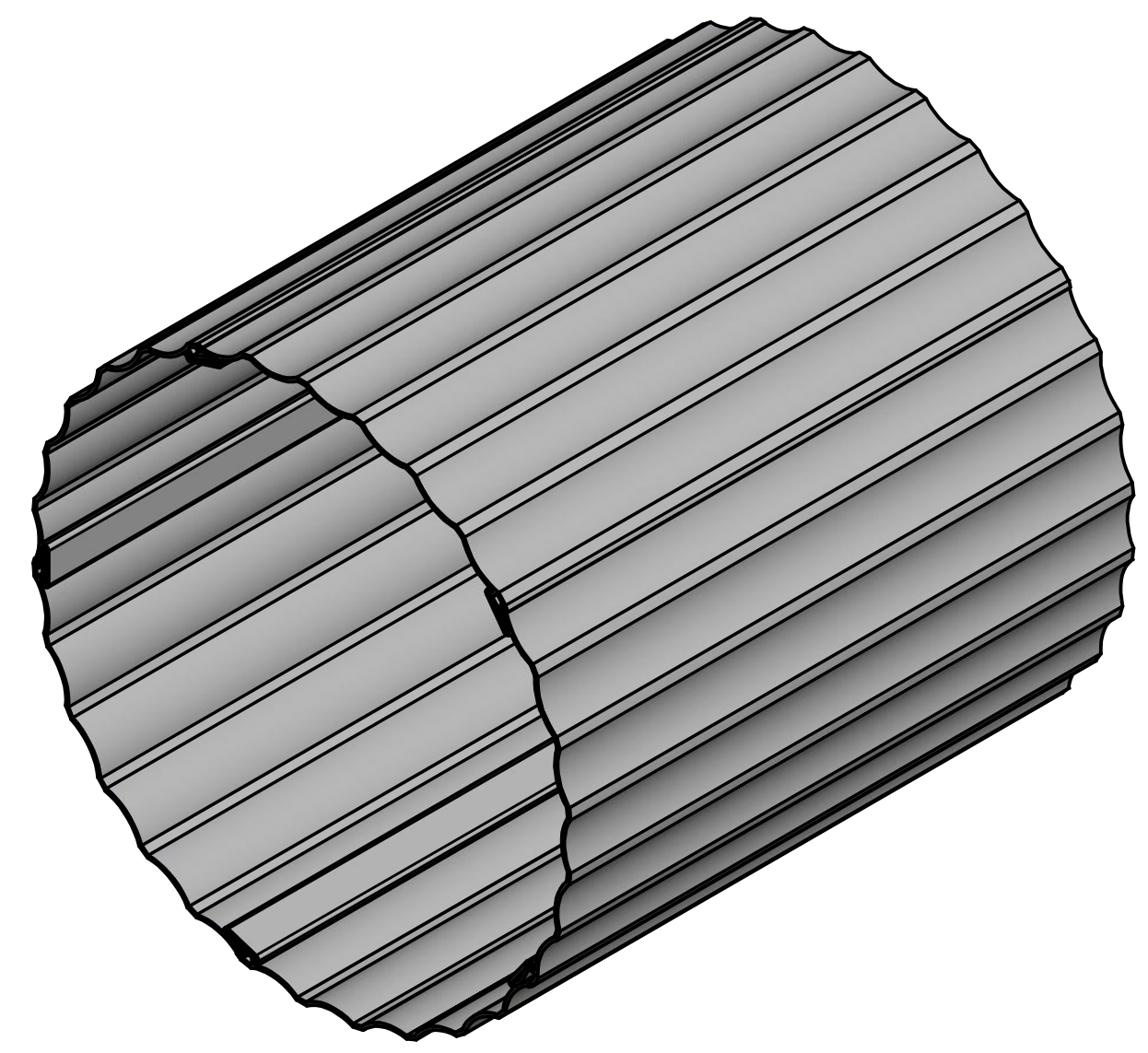
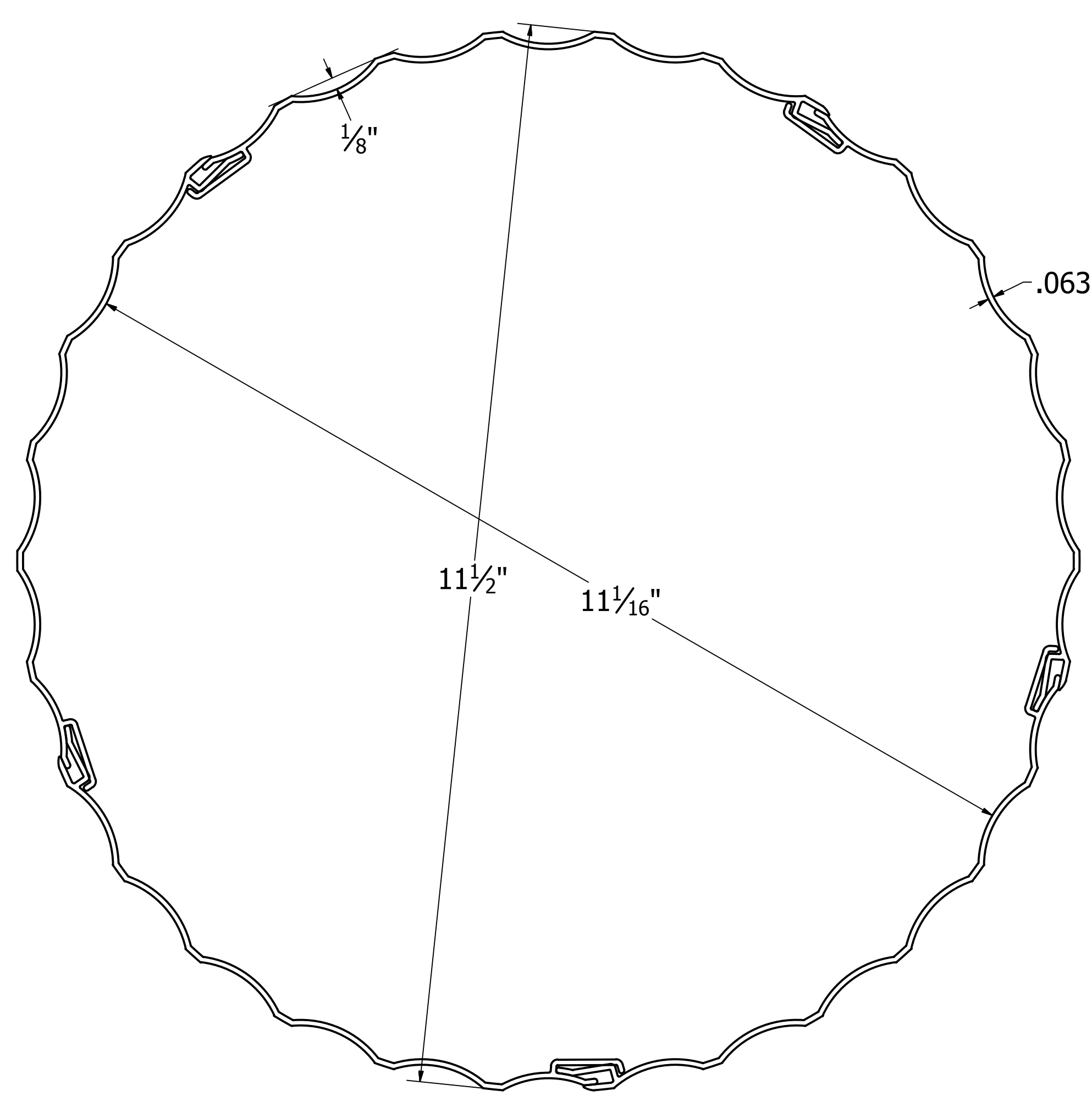
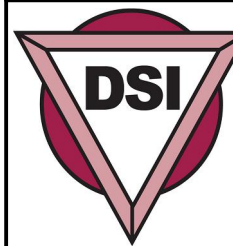


REV.	DESCRIPTION	DATE



Self-mating section; 5 pieces makes round column

Height	Part #
10 ft	53058
16 ft	53060
20 ft	53062

 <p><b>DSI Digger Specialties Inc.</b> 3446 US 6 EAST BREMEN, IN 46506 www.diggerspecialties.com</p>	WEIGHT: 3.42 lbs/ft	DRAWN BY: WJM	MATERIAL: <b>Aluminum</b>	
	STANDARD TOLERANCE: .00 \ .01 .000 \ .005 ANG. ° .5~	DATE DRAWN: <b>3/7/2017</b>		PART NAME: 12in. Alum Column Rnd Fluted.idw
	FRACTIONS: ± 1/16"	DRAFT NO. <b>20170307-4W</b>	PART NUMBER: <b>See Chart</b>	REV.
	FILE LOC: Z:\Aluminum\DSI Columns\Rnd Fluted Columns\12 Inch\12in. Alum Column Rnd Fluted.idw			