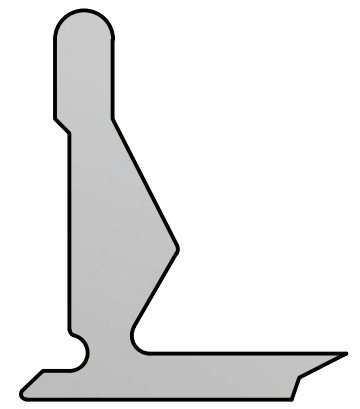
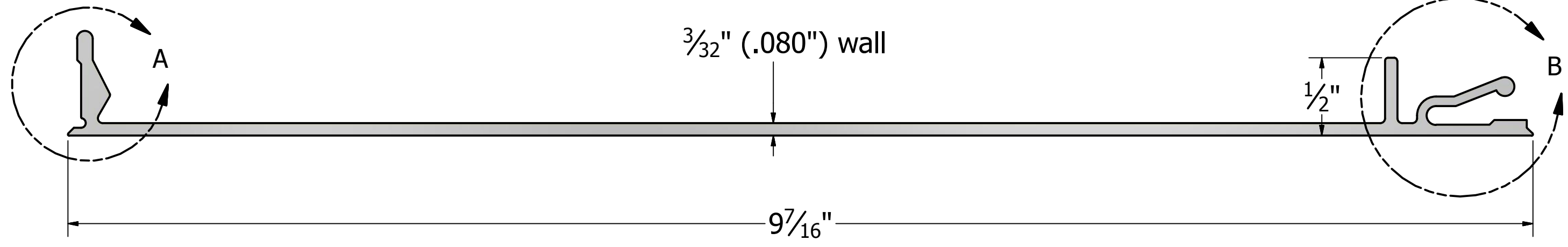
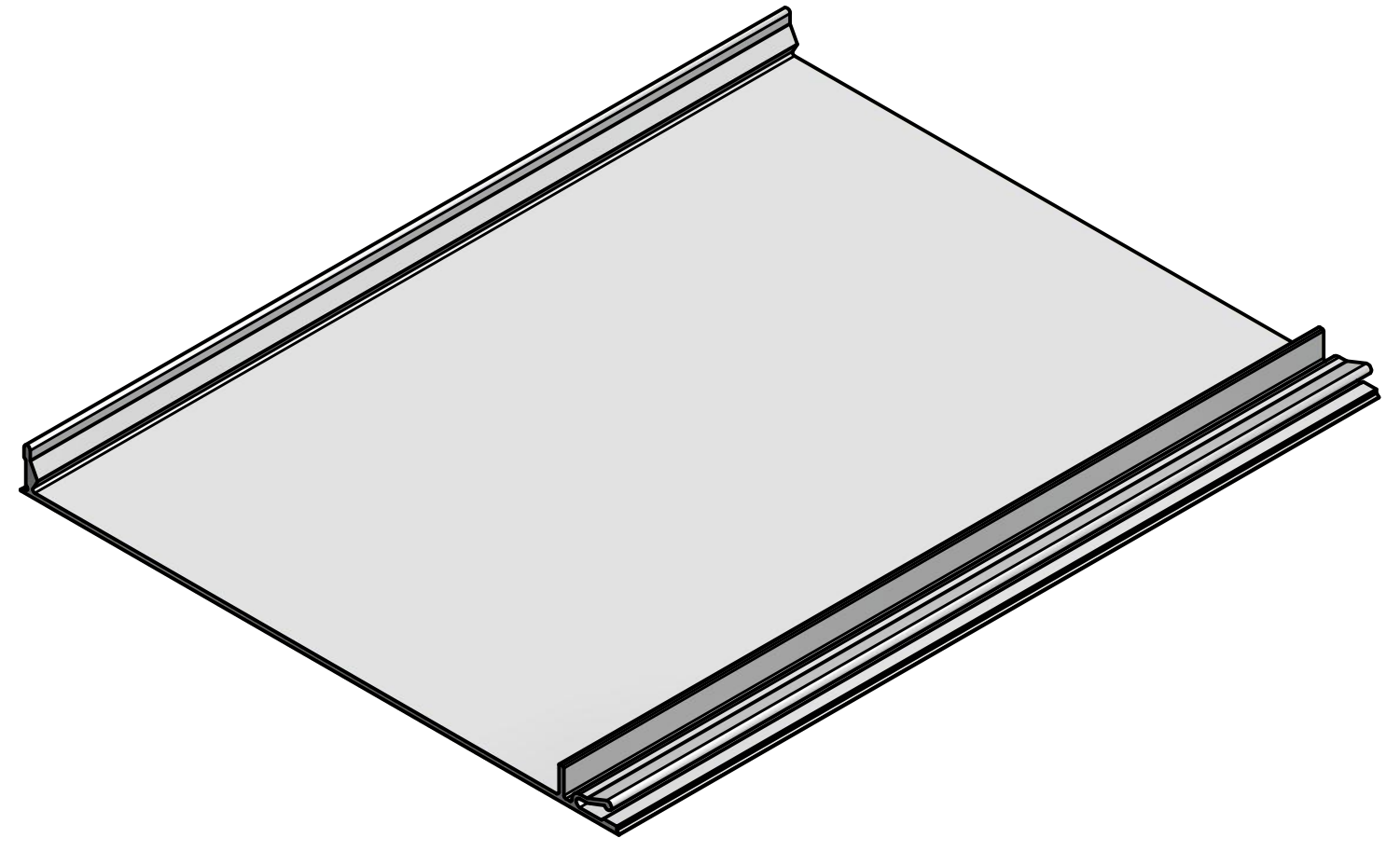
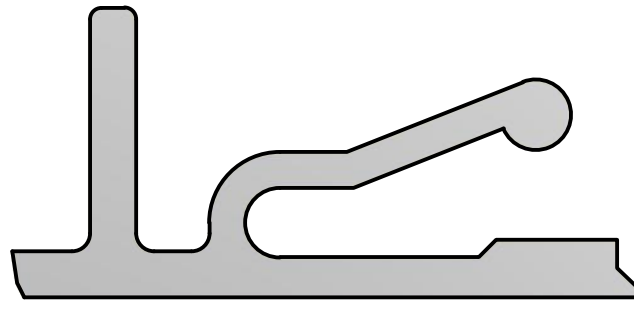


REV.	DESCRIPTION	DATE




DETAIL A
SCALE 3 : 1



DETAIL B
SCALE 3 : 1

Length	Part #
8'	56068
9'	56069
10'	56070
24'	56081

 DSI Digger Specialties Inc. 3446 US 6 EAST BREMEN, IN 46506 www.diggerspecialties.com	WEIGHT: 1.090 lbs/ft	DRAWN BY: CM	MATERIAL: Aluminum	
	STANDARD TOLERANCE: .00 \ .01 .000 \ .005 ANG. \ .5~	DATE DRAWN: 4/25/2016		PART NAME: 10in. Alum Stave SQ. Smooth.idw
	FRACTIONS: ± 1/16"	DRAFT NO. 20160425-1C	PART NUMBER: See Chart	REV.
	FILE LOC: Z:\Aluminum\DSI Columns\Sq. Plain Columns\10 Inch\10in. Alum Stave SQ. Smooth.idw			