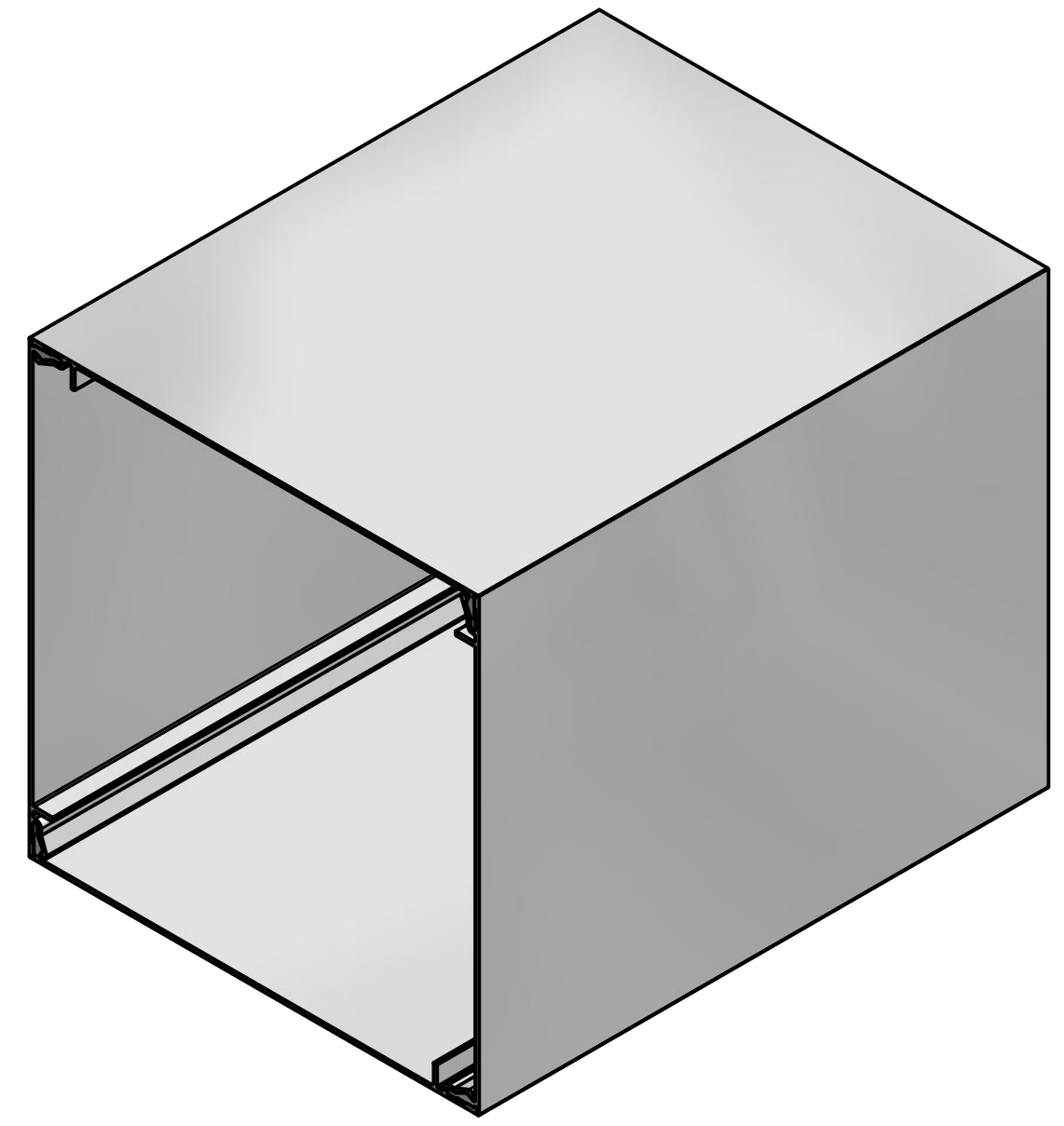
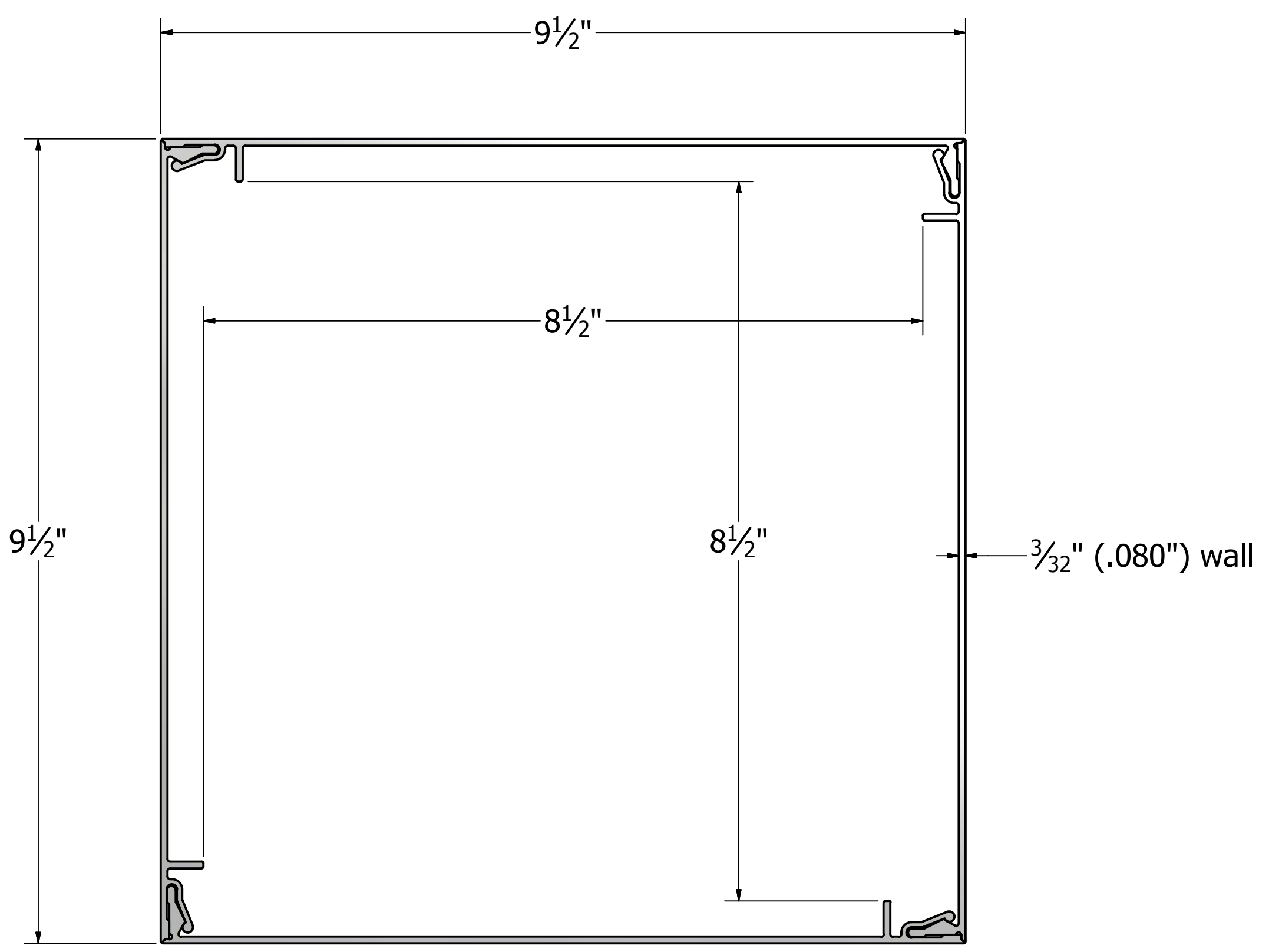



REV.	DESCRIPTION	DATE



Part #	
Length	No Base
8'	49251
9'	49252
10'	49253
12'	49254
20'	49268

 <p>DSI Digger Specialties Inc. 3446 US 6 EAST BREMEN, IN 46506 www.diggerspecialties.com</p>	WEIGHT: 4.360 lbs/ft	DRAWN BY: CM	MATERIAL: Aluminum	
	STANDARD TOLERANCE: .00 \ .01 .000 \ .005 ANG. \ .5~	DATE DRAWN: 4/26/2016		PART NAME: 10in. Alum Column SQ.Smooth.idw
	FRACTIONS: ± 1/16"	DRAFT NO. 20160426-1C	PART NUMBER: See Chart	REV.
	FILE LOC: Z:\Aluminum\DSI Columns\Sq. Plain Columns\10 Inch\10in. Alum Column SQ.Smooth.idw			