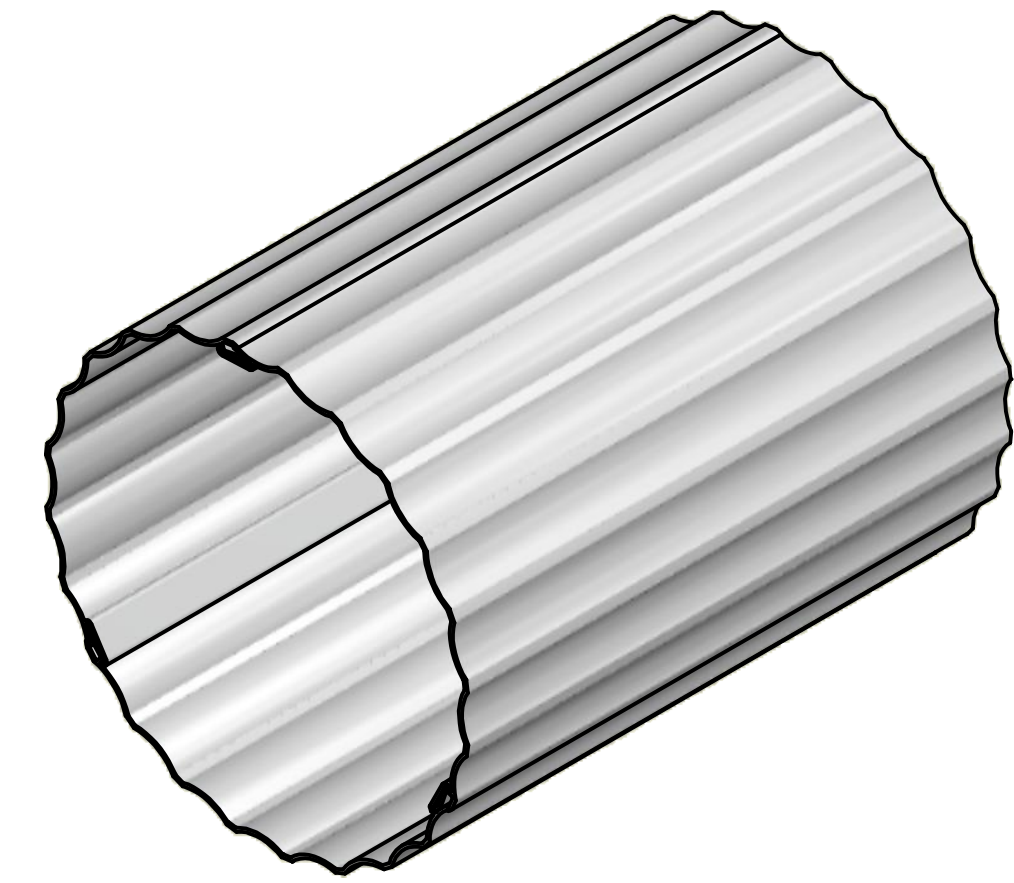
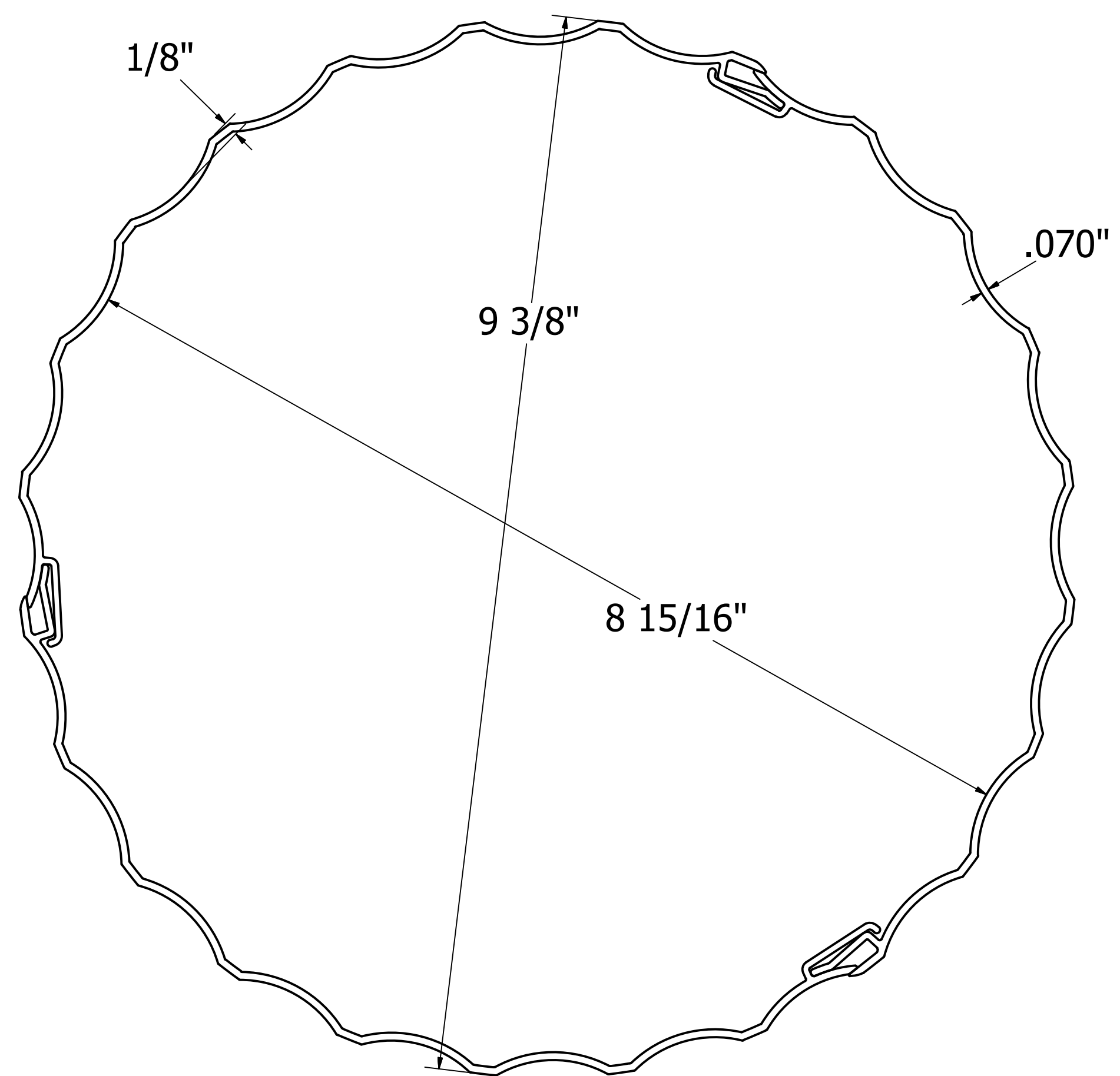
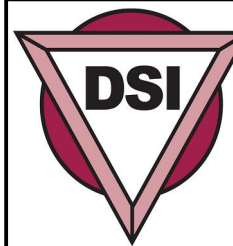


REV.	DESCRIPTION	DATE
A	Replaced staves w/ profile #94253	01-20-2016



 <p>DSI Digger Specialties Inc. 3446 US 6 EAST BREMEN, IN 46506 www.diggerspecialties.com</p>	WEIGHT: 2.828 lbs./ft	DRAWN BY: WJM	MATERIAL: Aluminum
	STANDARD TOLERANCE: .00 \ .01 .000 \ .005 ANG. °.5~	DATE DRAWN: 2/16/2012	PART NAME: 10in. Alum Column Rnd Fluted.idw
	FRACTIONS: ± 1/16"	DRAFT NO. 20120216-1	PART NUMBER: 53049 - 53055
FILE LOC: Z:\Aluminum\DSI Columns\Rnd Fluted Columns\10 Inch\10in. Alum Column Rnd Fluted.idw		REV. A	