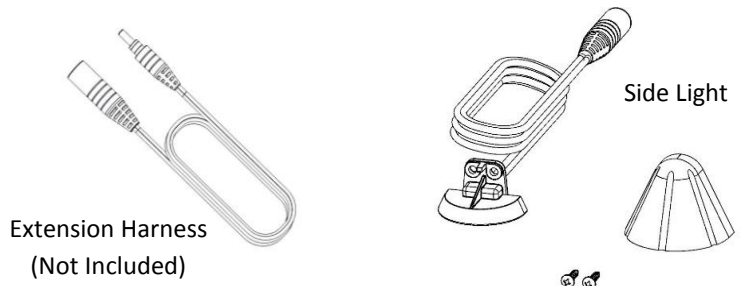


Teardrop LED Side Light

Pre - Installation Notes

- Do not cut any wires. Any extra wire length can be coiled up.
- Ensure that staples, screws, or brackets will not damage or pinch any of the wires.
- Connections can be made by firmly pushing the male and female connectors together and slightly twisting while pushing.

Components



Step 1

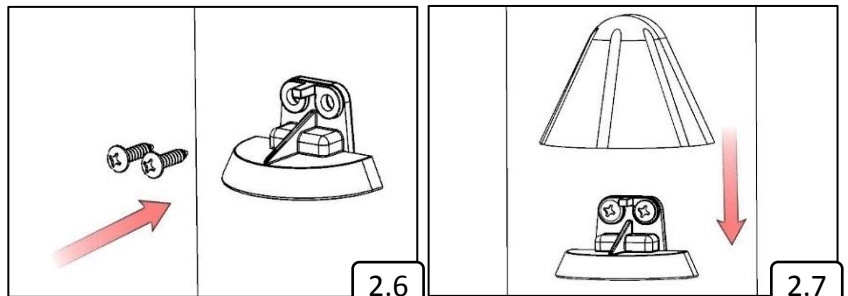
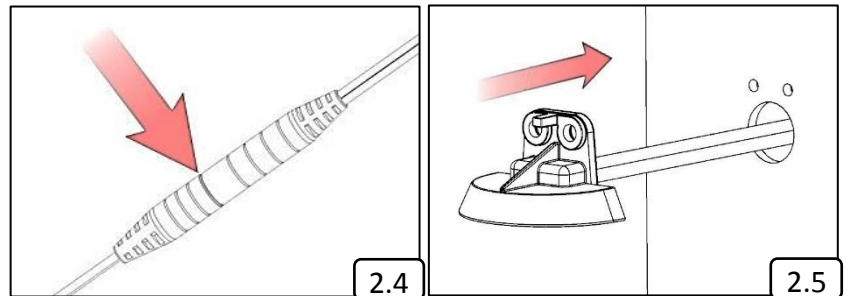
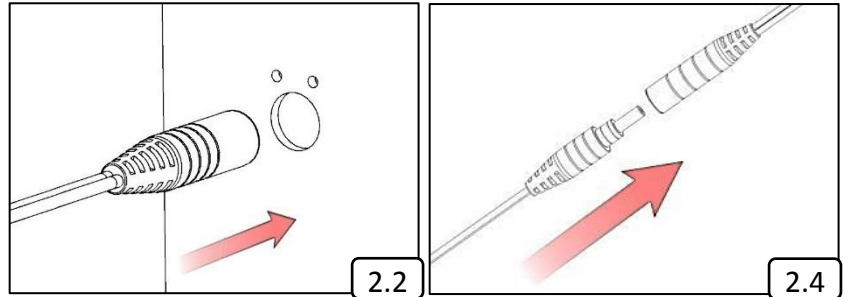
Prepare the Transformer and Wiring Harness

- 1.1 Follow instructions provided with the transformer.
- 1.2 Follow instructions for the wiring harnesses so there is a male connector located at each location that will have a light installed.

Step 2

Prepare the Post and the Back Plate

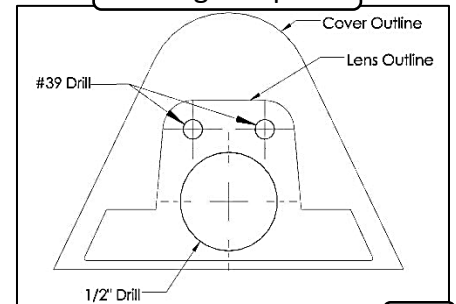
- 2.1 Place the template (located at the bottom of this sheet) at the desired location and pre-drill the two screw holes with a #39 drill bit and one 1/2" hole for the wire and connector to pass through. A center punch at the drill locations will help keep the drill centered.
- 2.2 The light has a 42" lead with a female connector on the end. Pass the female connector through the 1/2" hole in the post. An extension harness (not included) can be used if more than 42" is needed to get to the top or bottom of the post.
- 2.3 If the main wiring will be run at the bottom of the railing, the female connector should be at the bottom of the post. Alternatively, the female connector should be ran to the top if the main wiring will run inside or under the top rail.



A string or extension grabber tool can be used to get the connector to the desired location.

- 2.4 Plug the female connector (from Step 2.2) into the male connector that is connected back to the transformer. Press firmly while twisting until the connection is fully engaged. There should be little to no gap between the connectors. If the transformer is turned on, the light should be illuminated.
- 2.5 Carefully push the wire attached to the light through the 1/2" hole until the back of the light is flush with the post.
- 2.6 Align the screws with the pre-drilled holes. Using a hand screw driver (power drivers not recommended), tighten the included stainless steel screws to mount the light to the post.
- 2.7 Align the cover above the light and push the cover down completely onto the lens.

Drilling Template



2.1