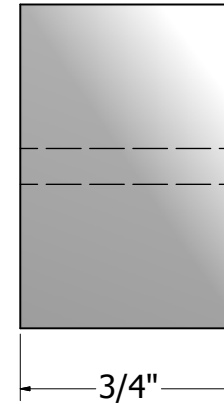
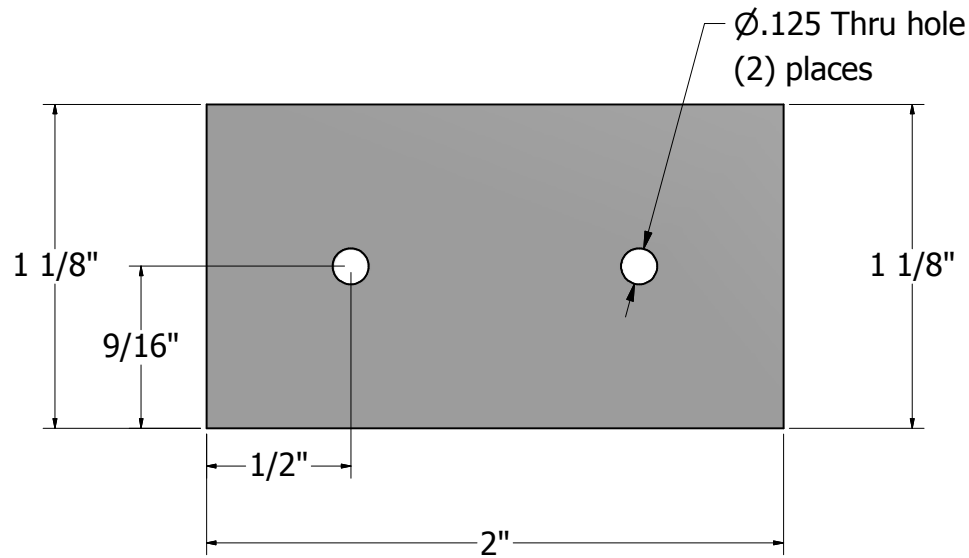
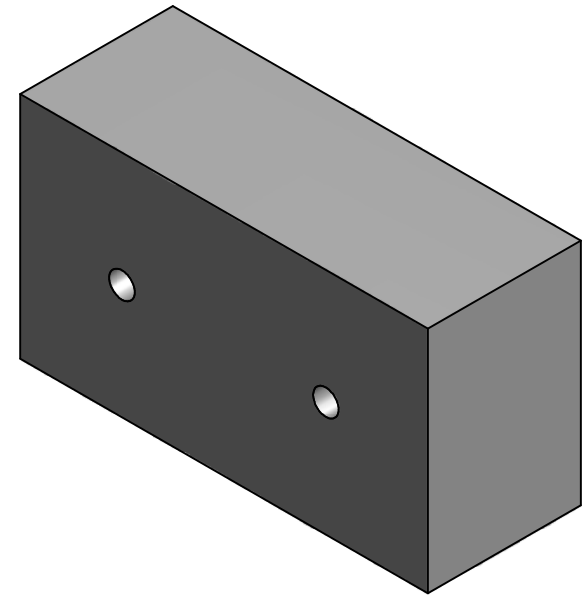



REV.	REVISION	DATE



 DSI Digger Specialties Inc. 3446 US 6 EAST BREMEN, IN 46506 www.diggerspecialties.com	WEIGHT: STANDARD TOLERANCE: .00 ~ .01 .000 ~ .005 ANG. ~ .5° FRACTIONS: $\pm \frac{1}{16}$ "	DRAWN BY: WJM DATE DRAWN: 4/10/2012 DRAFT NO. 20120410-1	MATERIAL: Plastic Wood PART NAME: Sq. Smooth Base Block.idw PART NUMBER: ???	REV.
	FILE LOC: Z:\Aluminum\DSI Columns\Sq. Plain Columns\Sq. Smooth Base Block.idw		PART NUMBER: ???	REV.