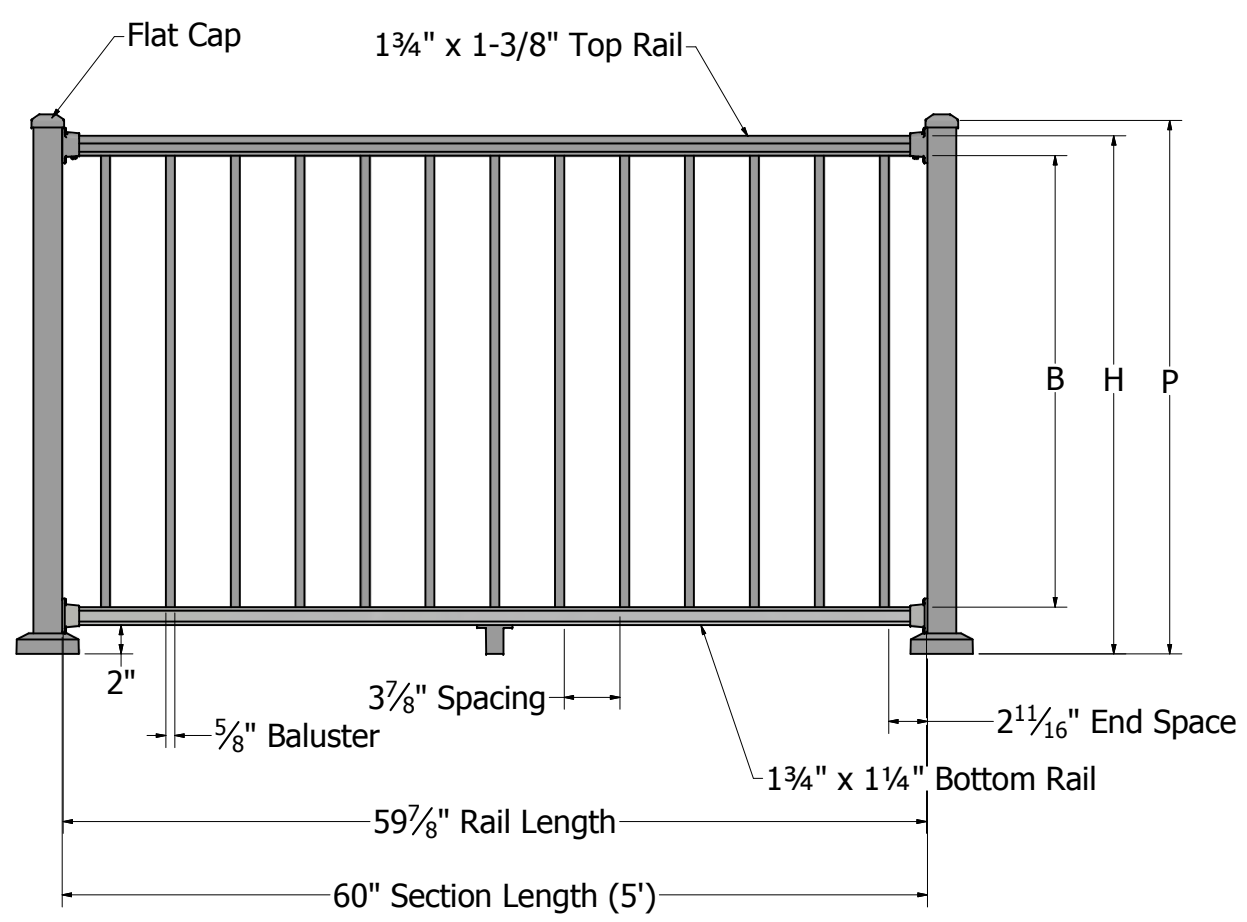


REV.	DESCRIPTION	DATE
A	Added Railing Support.	08/19/2013



Size	B	H	P
36" Railing	31-3/8"	36"	37"
42" Railing	37-3/8"	42"	43"


DSI Digger Specialties Inc.
 3446 US 6 EAST
 BREMEN, IN 46506
www.diggerspecialties.com

WEIGHT:	DRAWN BY: FSB
STANDARD TOLERANCE: .00 .01 .000 .005 ANG. .5~	DATE DRAWN: 7/30/2014
FRACTIONS: ± 1/16"	DRAFT NO. 20140730-1F
FILE LOC: Z:\Aluminum\Westbury\S10 Railing\Section drawings\S10 Level Section 5'.idw	

MATERIAL: Aluminum / Zinc
PART NAME: S10 Level Section 5'.idw
PART NUMBER: 36"T 74099 42"T 74100
REV. A