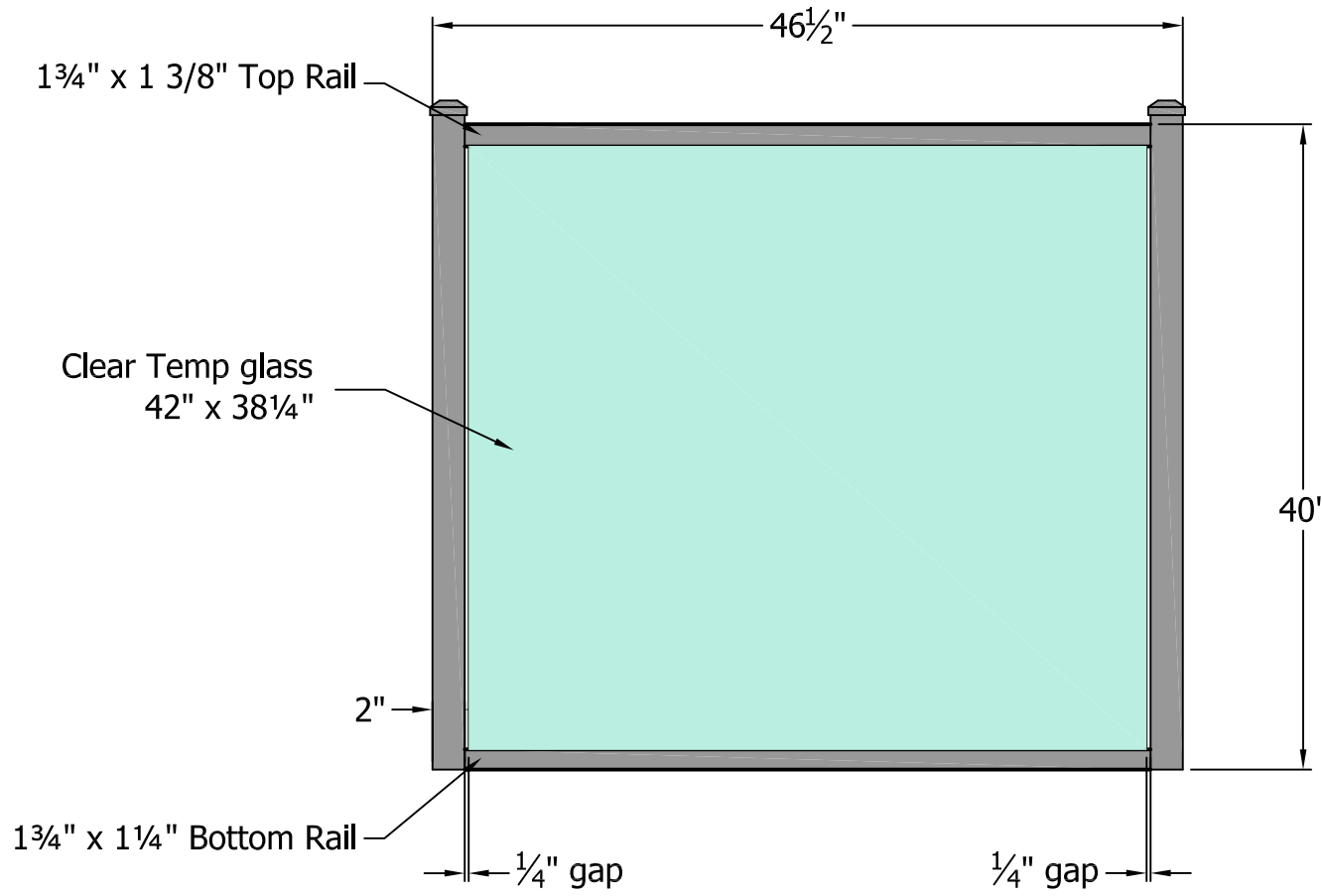



REV.	LOC.	REVISION	DATE
A		RELEASE PENDING APPROVAL	



SHEET SIZE= C	DRAWN BY: FSB	PART NUMBER:	
SCALE = none	DATE DRAWN: 02-15-2010	# 71420	
STANDARD TOLERANCE: .00 ±.01 FRACTIONS: .000 ±.005 ±1/16\" ANG. ±.5°	LOC ACAD: Z:/Projects/Projects 2009/Glassrail/C70 Gates	STYLE: Verandah C70 Gate	
DRAFT: 20100215-1	LOC PDF: W:/Alum/WestBury/C70 Verandah	FILE NAME: C70 Gate 4842	SHEET OF A

FINISH:



3446 US 6 EAST
Bremen, IN 46506

D
C
B
A