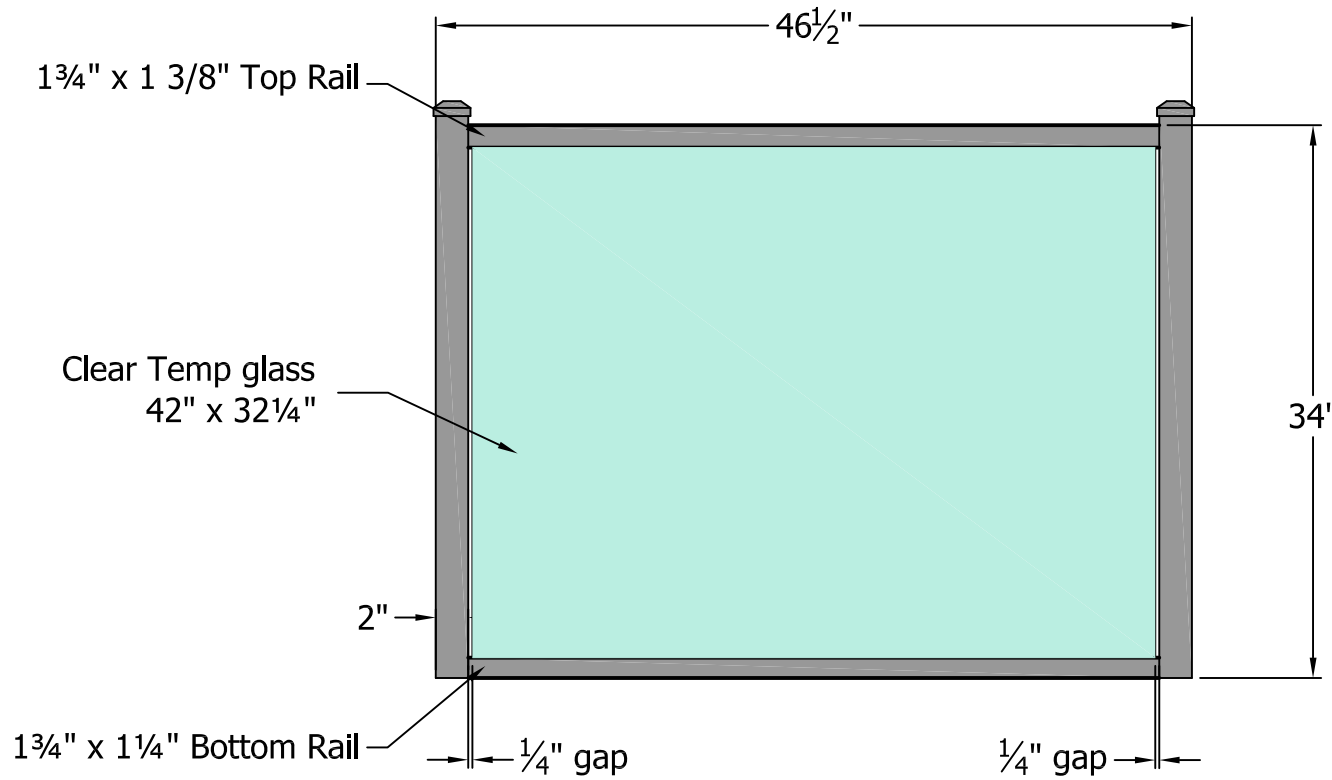



REV.	LOC.	REVISION	DATE
A		RELEASE PENDING APPROVAL	



SHEET SIZE= C	DRAWN BY: FSB	PART NUMBER:
SCALE = none	DATE DRAWN:	# 71418
STANDARD TOLERANCE: .00 ±.01 FRACTIONS: .000 ±.005 ±1/16" ANG. ±.5°	LOC ACAD: Z:\Projects\Projects 2009\Glassrail\C70 Gates	STYLE: Verandah C70 Gate
DRAFT: 20100215-1	LOC PDF: W:\Alum\WestBury\C70 Verandah	FILE NAME: C70 Gate 4836
		SHEET OF
		REV. A

FINISH:



3446 US 6 EAST
Bremen, IN 46506