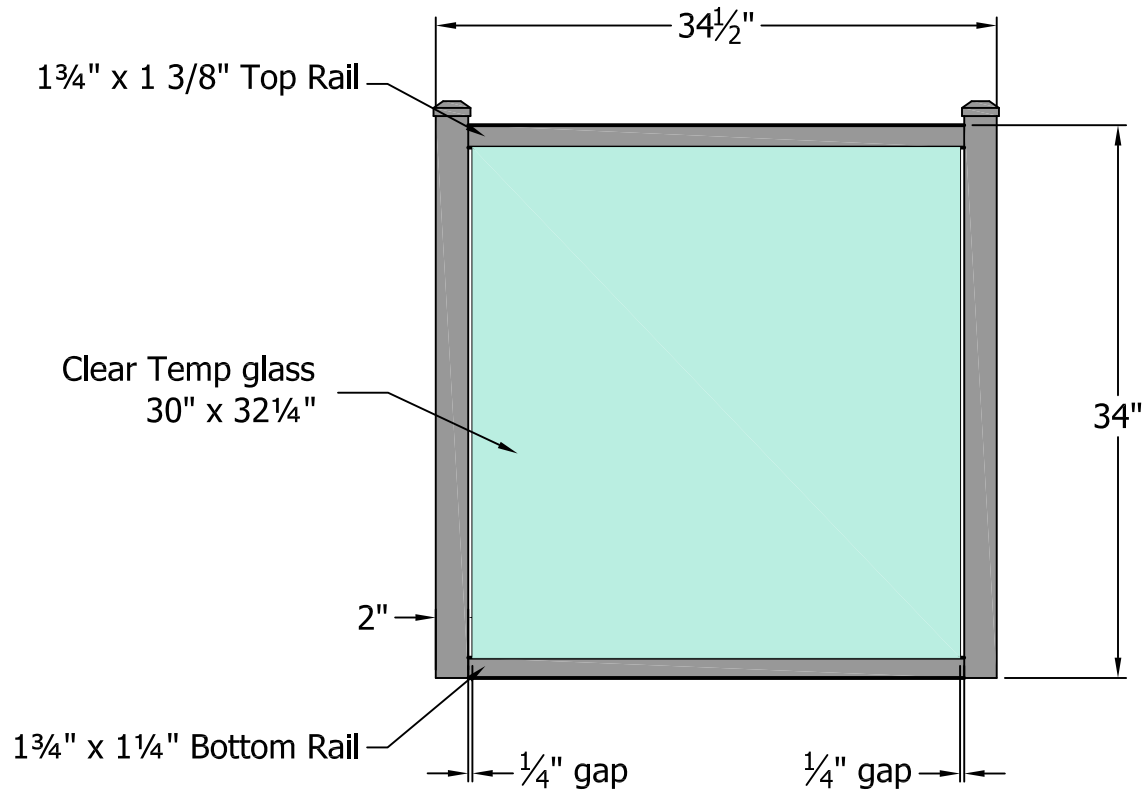


REV.	LOC.	REVISION	DATE
A		RELEASE PENDING APPROVAL	



D

C

B

A

SHEET SIZE= C	DRAWN BY: FSB	PART NUMBER: # 71417	
SCALE = none	DATE DRAWN: 02-15-2010	STYLE: Verandah C70 Gate	
STANDARD TOLERANCE: .00 ±.01 FRACTIONS: .000 ±.005 ±1/16" ANG. ±.5°	LOC ACAD: Z:\Projects\Projects 2009\Glassrail\C70 Gates	FILE NAME: C70 Gate 3636	SHEET OF A
FINISH:	DRAFT: 20100215-1	LOC PDF: W:\Alum\WestBury\C70 Verandah	

DSI Digger Specialties, Inc. 3446 US 6 EAST Bremen, IN 46506