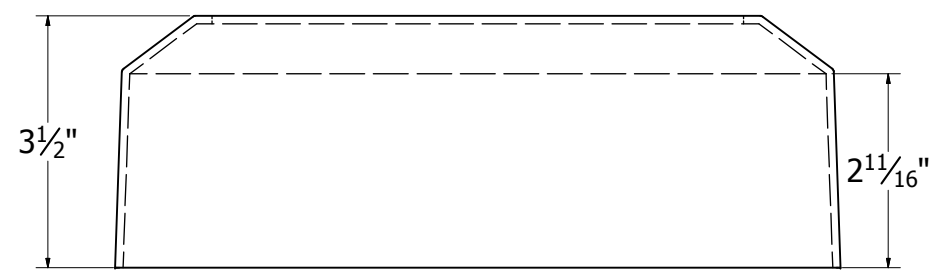
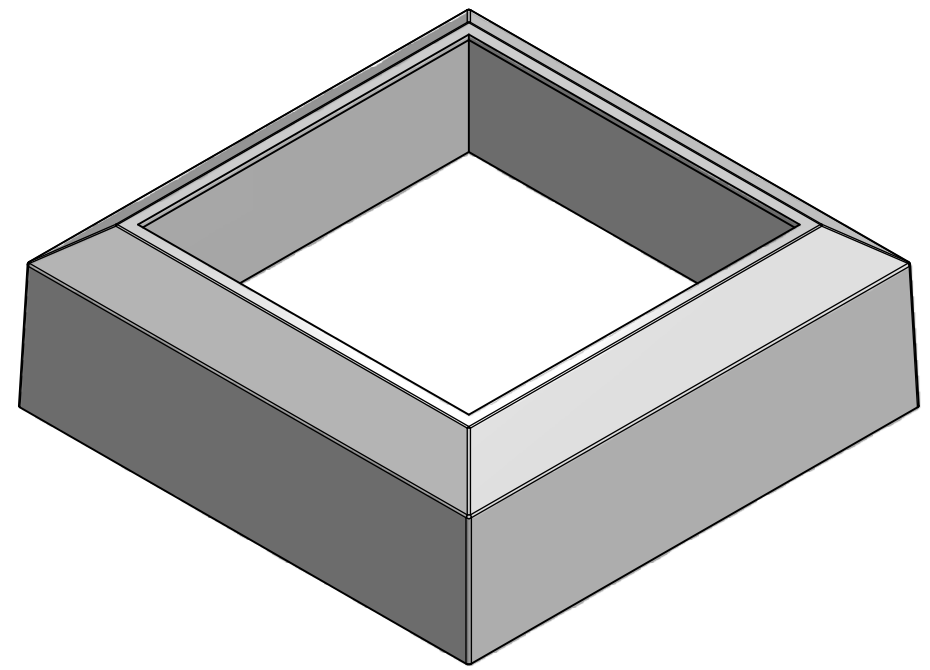
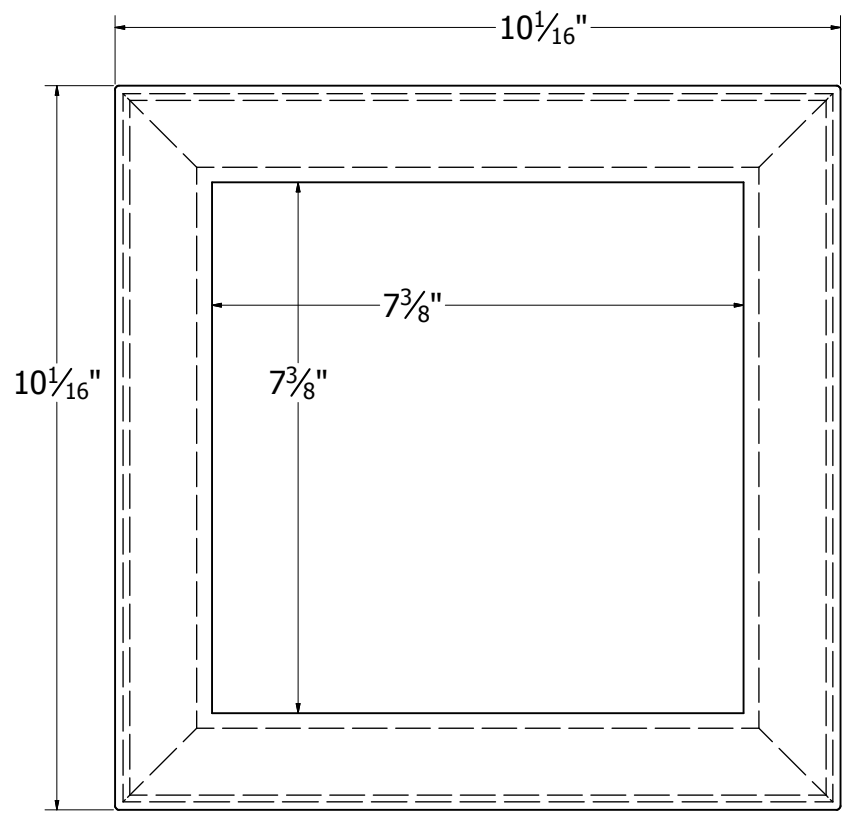


REV.	REVISION	1	PART NUMBER:
A	RELEASED TO PRODUCTION		DATE



DSI Digger Specialties Inc.
 3446 US 6 EAST
 BREMEN, IN 46506
 www.diggerspecialties.com

WEIGHT: 2.300 lb/ea
 STANDARD TOLERANCE: .00 .01
 .000 .005
 ANG. .5°
 FRACTIONS: $\pm \frac{1}{16}$ "
 DRAFT NO. 20111103-1

DRAWN BY: wjm
 DATE DRAWN: 9/22/2011
 APPROVED BY:
 DATE APPR'D:
 FILE LOC. Z:\Aluminum\DSI Columns\Sq. Plain Columns\8 inch

MATERIAL: Cast Aluminum
 PART NAME: BASE PLN ALUM SQ SMOOTH 8"
 PART NUMBER: 55839
 REV.