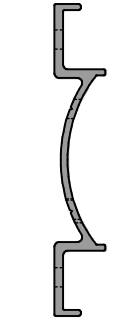
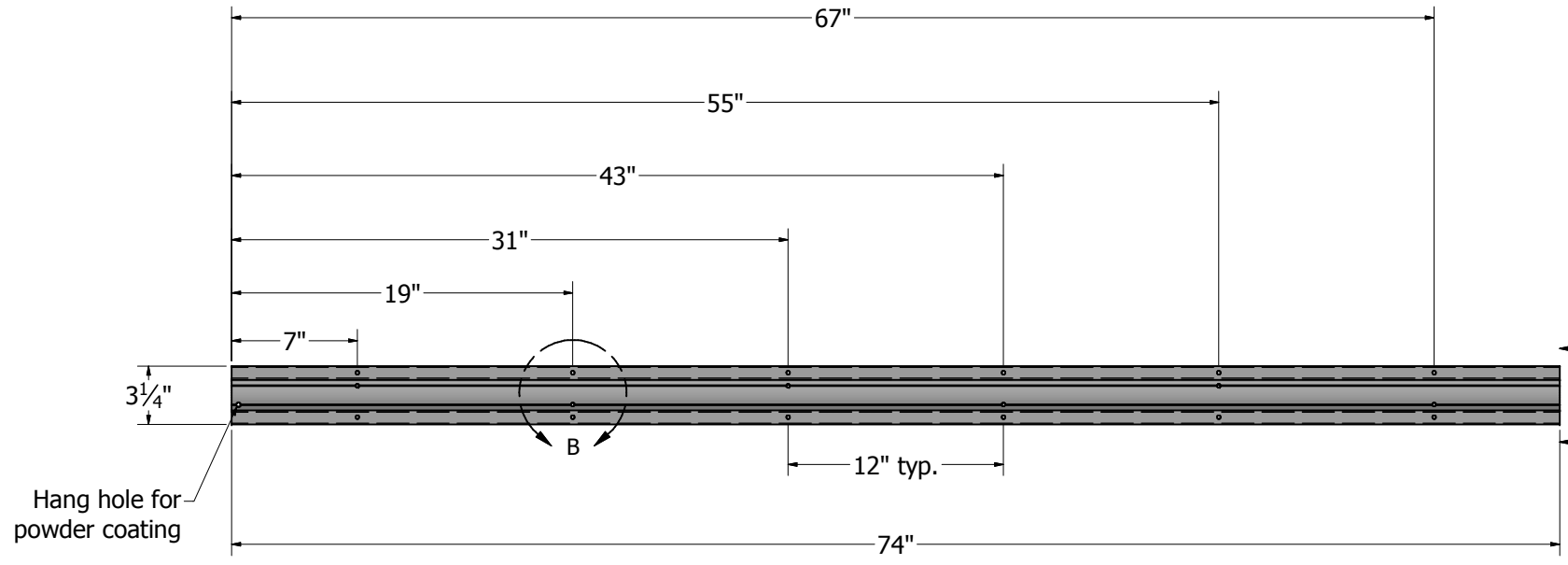
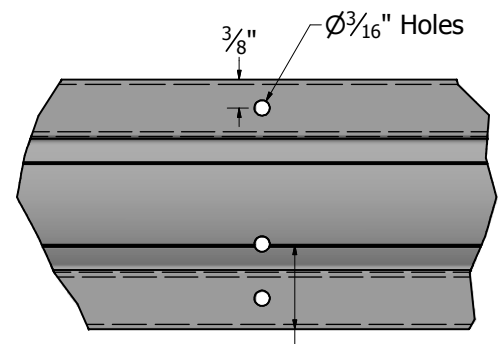



REV.	DESCRIPTION	DATE
A	1 punch per ft. in center area instead of 2	03/13/2014
B	Reduced holes size to 3/16"	03/14/2014



VIEW A-A
SCALE 1 / 1



DETAIL B
SCALE .8 : 1

 <p>DSI Digger Specialties Inc. 3446 US 6 EAST BREMEN, IN 46506 www.diggerspecialties.com</p>	WEIGHT: 2.628 lb/pcs STANDARD TOLERANCE: .00 .01 .000 .005 ANG. .5~ FRACTIONS: ± 1/16"	DRAWN BY: fsb DATE DRAWN: 3/10/2014 DRAFT NO. 20140310-1F	MATERIAL: <p style="text-align: center;">Aluminum</p>
	FILE LOC: Z:\Projects\Projects 2013\Drink Rail\Drinkrail Adapt 74.idw		PART NAME: <p style="text-align: center;">Drinkrail Adapt 74.idw</p>
	PART NUMBER: <p style="text-align: center;">73279</p>		REV. <p style="text-align: center;">B</p>