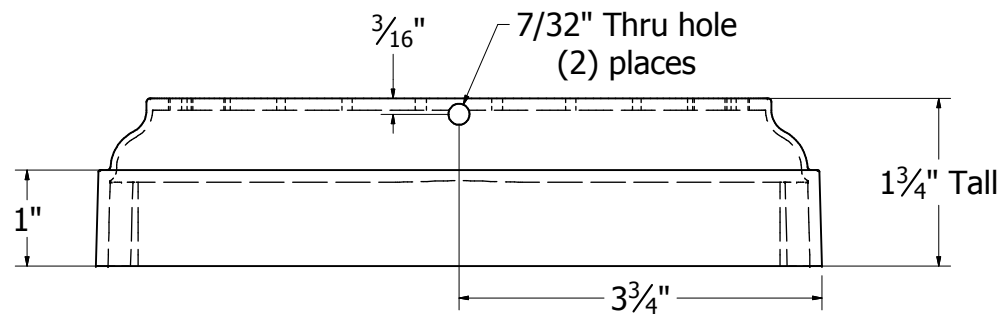
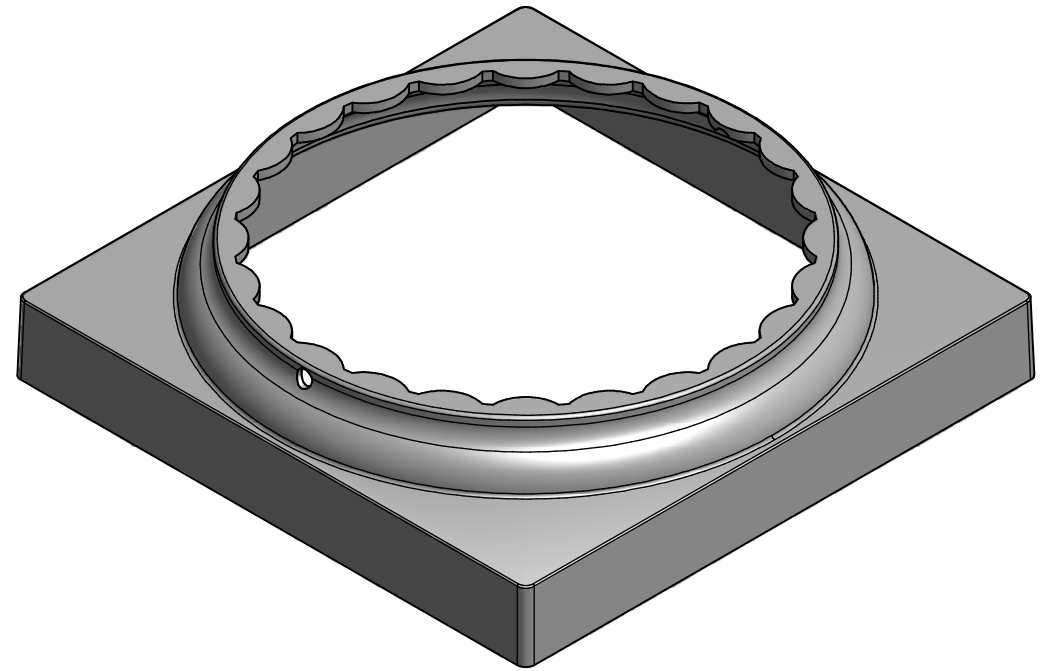
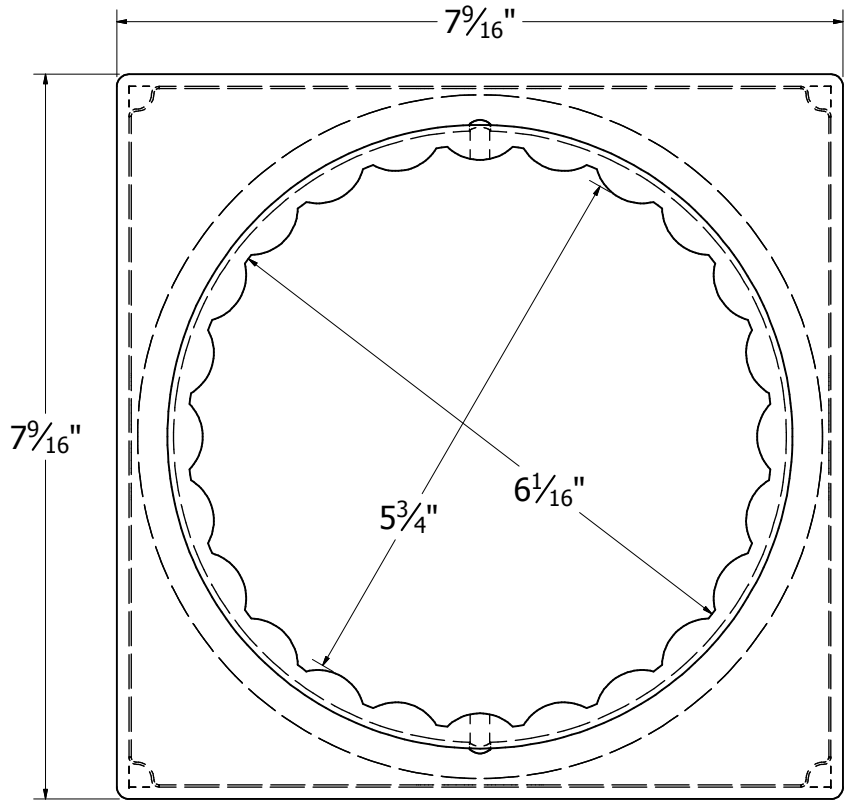


REV.	REVISION	1	PART NUMBER:
A	RELEASED TO PRODUCTION		DATE



DSI Digger Specialties Inc.
 3446 US 6 EAST
 BREMEN, IN 46506
 www.diggerspecialties.com

WEIGHT: .775 lb/ea
 STANDARD TOLERANCE: .00 .01
 .000 .005
 ANG. .5~
 FRACTIONS: ± 1/16"
 DRAFT NO. 20111103-1

DRAWN BY: wjm
 DATE DRAWN: 8/30/2011
 APPROVED BY:
 DATE APPR'D:
 FILE LOC.
 Z:\Aluminum\DSI Columns\Rnd Fluted Columns\6 Inch\6in. Rnd Fluted Base.ipt

MATERIAL: Cast Aluminum
 PART NAME: 6in Round Fluted Base.idw
 PART NUMBER: 55832 Base
 REV.

