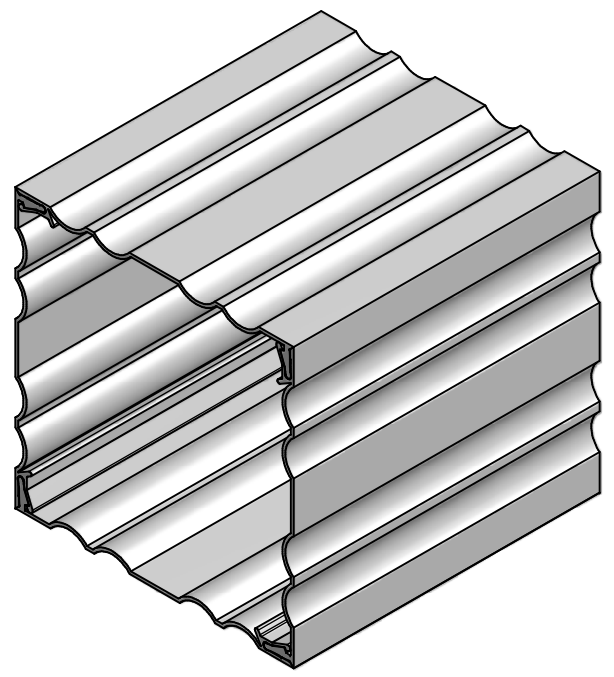
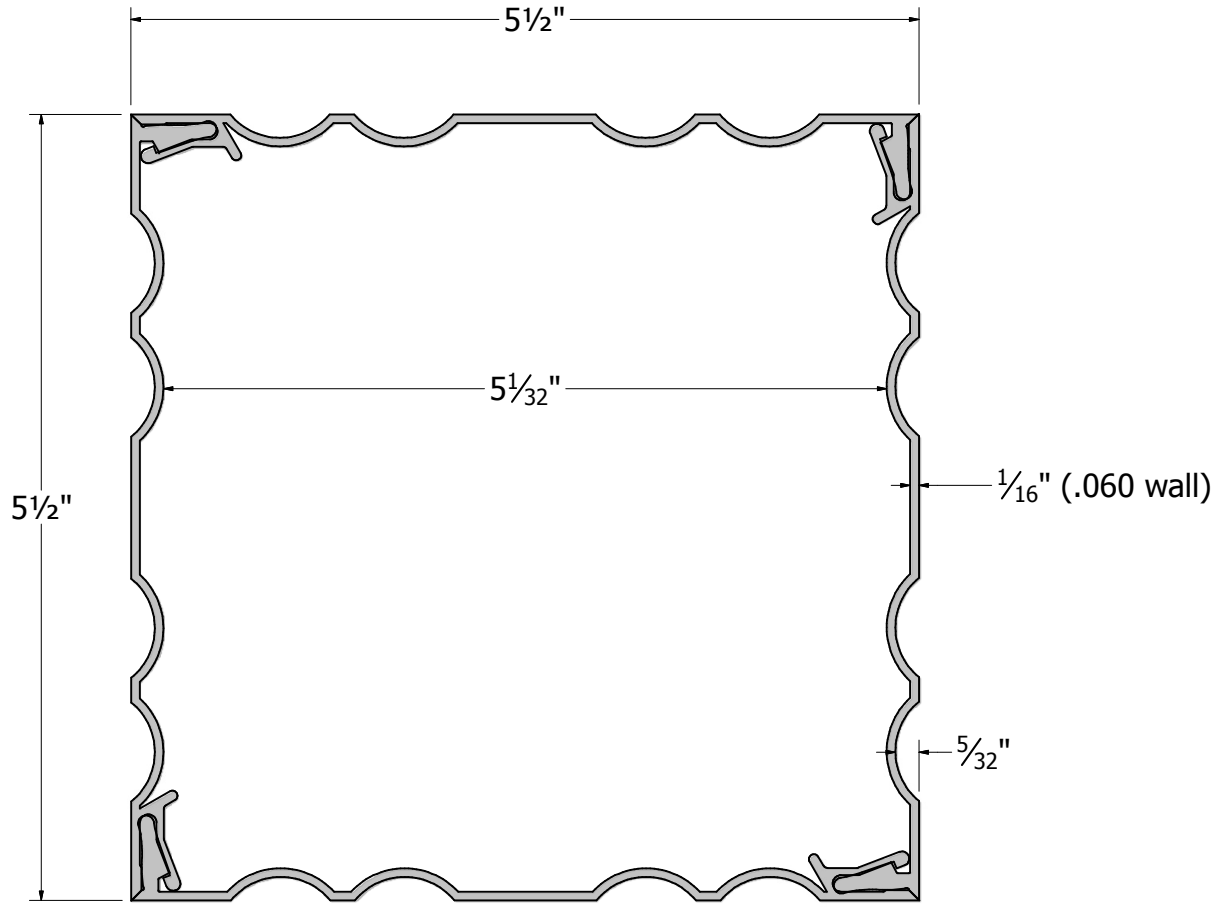



REV.	REVISION	DATE



 <p>DSI Digger Specialties Inc. 3446 US 6 EAST BREMEN, IN 46506 www.diggerspecialties.com</p>	WEIGHT: 2.26 lb/ft	DRAWN BY: FSB	MATERIAL:
	STANDARD TOLERANCE: .00 ~ .01 .000 ~ .005 ANG. ~ .5~	DATE DRAWN: 2/1/2012	Aluminum
	FRACTIONS: ± 1/16"	DRAFT NO. 20120201-1	PART NAME: 6" Alum Column SQ. Fluted
	FILE LOC: Z:\Aluminum\DSI Columns\Sq. Fluted Columns\6 Inch\Alum Column SQ.Fluted 6 .idw	PART NUMBER: 53007 - 53012	REV.