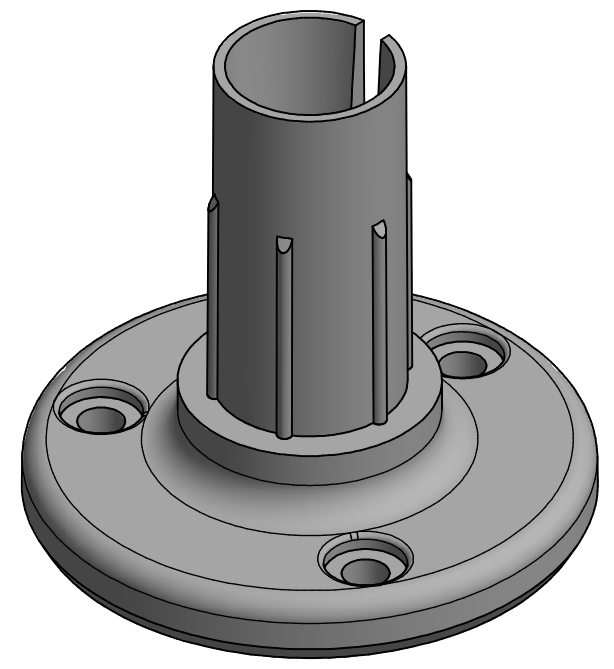
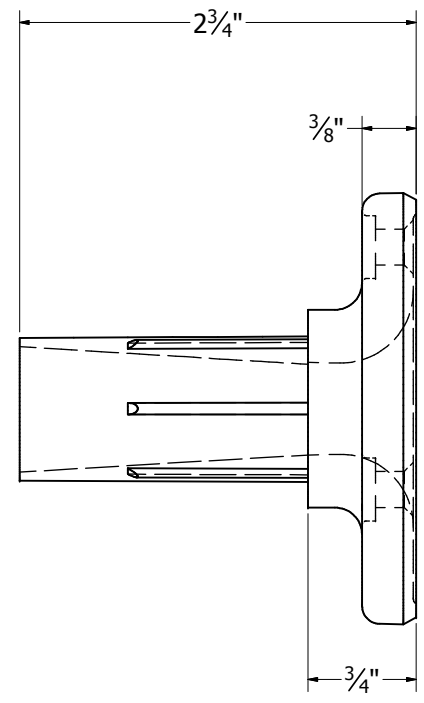
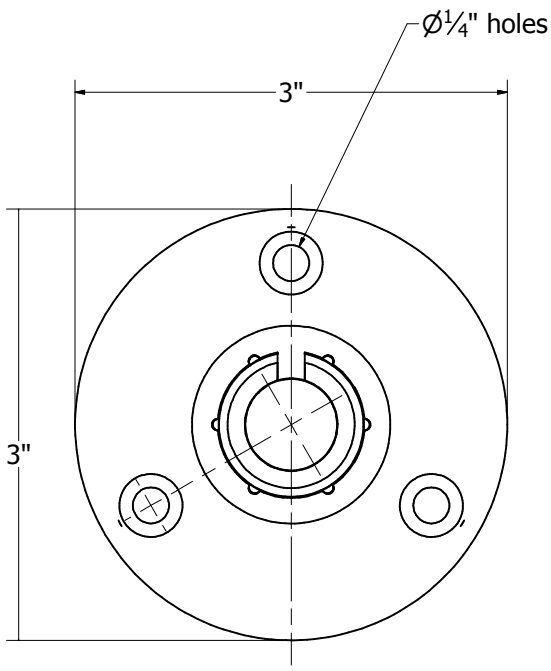



REV.	DESCRIPTION	DATE
A	Shorted contact ribs.	12/13/2016



(3) #12 x 1 1/4" screws are included with finished part

Volume = 3.259 in³

 DSI Digger Specialties Inc. 3446 US 6 EAST BREMEN, IN 46506 www.diggerspecialties.com	WEIGHT: .782 lbs/ea	DRAWN BY: FSB	MATERIAL:
	STANDARD TOLERANCE: .00 .01 .000 .005 ANG. .5~	DATE DRAWN: 9/12/2016	Zamak 3 (Zinc)
	FRACTIONS: ± 1/16"	DRAFT NO. 20160912-3W	PART NAME: 56128 Level Wall Mount.idw
	FILE LOC: Z:\Aluminum\Components\Continuous Handrail\Zinc\56128 Level Wall Mount.idw		PART NUMBER: 56128