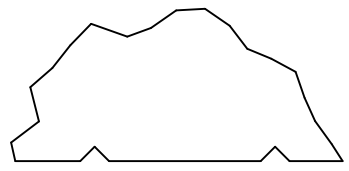
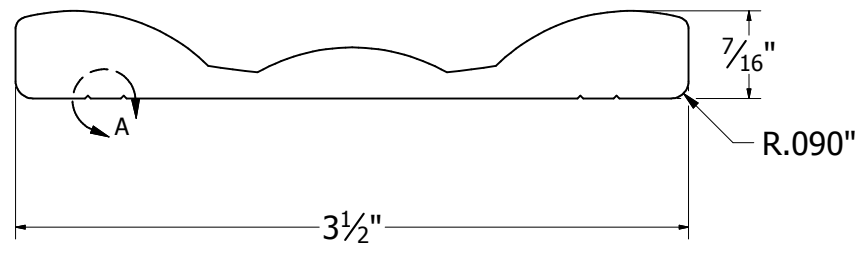
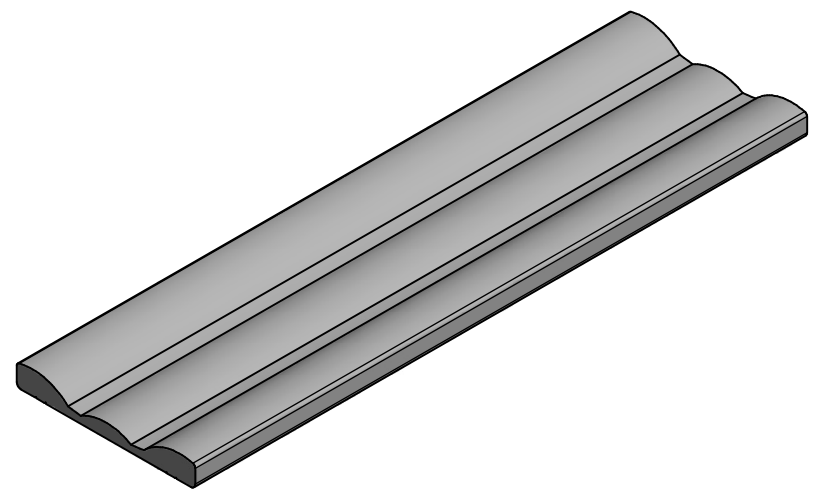



REV.	DESCRIPTION	DATE



DETAIL A  
SCALE 10



 <b>DSI Digger Specialties Inc.</b> 3446 US 6 EAST BREMEN, IN 46506 <a href="http://www.diggerspecialties.com">www.diggerspecialties.com</a>	WEIGHT: 1.286 lbs/ft.	DRAWN BY: WJM	MATERIAL: Aluminum
	STANDARD TOLERANCE: .00 .01 .000 .005 ANG. .5~	DATE DRAWN: 11/29/2012	PART NAME: 55890 10in Rnd Fluted Adaptor.idw
	FRACTIONS: ± 1/16"	DRAFT NO. 20121129-5W	PART NUMBER: 55890
	FILE LOC: Z:\Aluminum\DSI Columns\Rnd Fluted Columns\10 Inch\Railing App\55890 10in Rnd Fluted Adaptor.idw		REV.