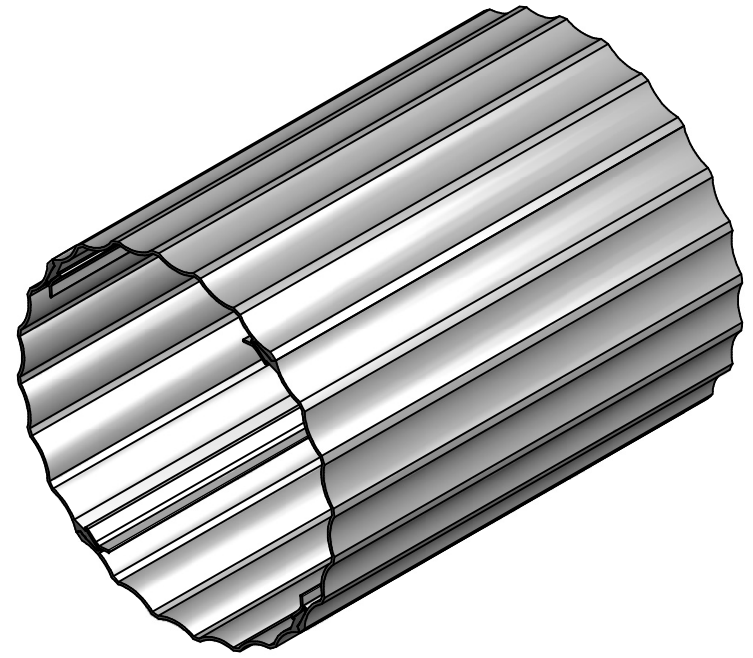
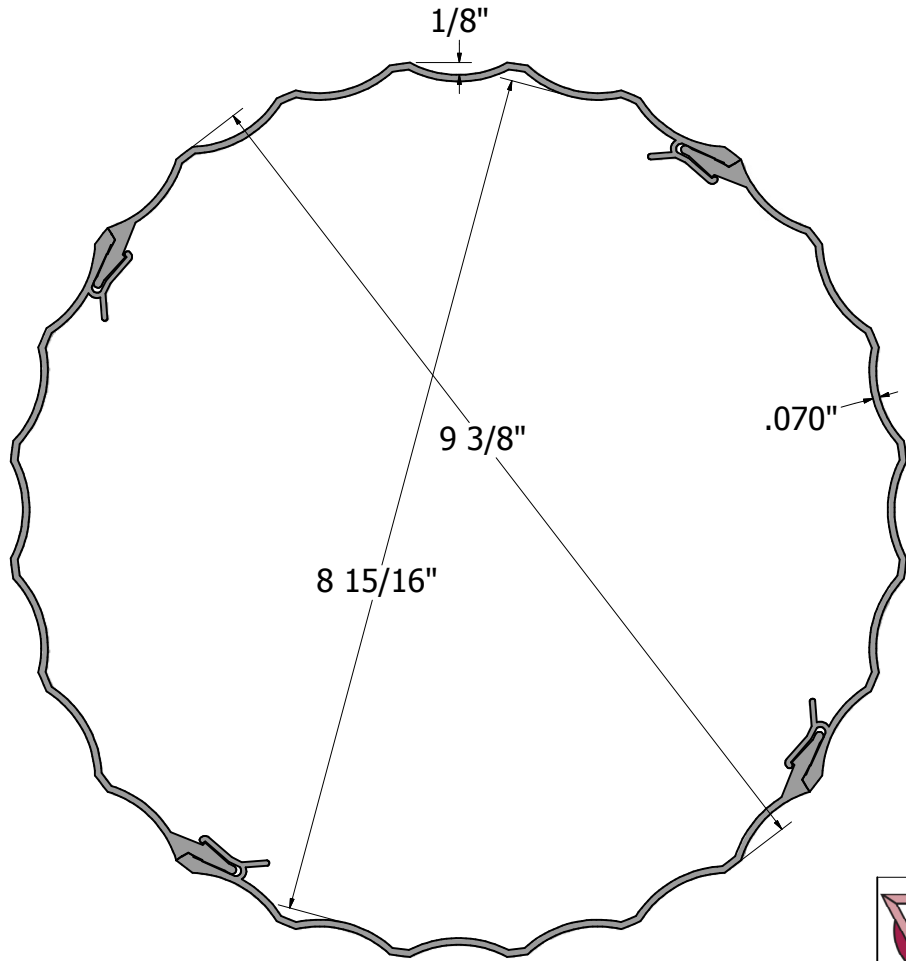



REV.	REVISION	DATE



 DSI Digger Specialties Inc. 3446 US 6 EAST BREMEN, IN 46506 www.diggerspecialties.com	WEIGHT: 3.185 lbs./ft	DRAWN BY: WJM	MATERIAL: Aluminum
	STANDARD TOLERANCE: .00 ~ .01 .000 ~ .005 ANG. ~ .5~	DATE DRAWN: 2/16/2012	PART NAME: 10in.Alum Column Rnd Fluted.idw
	FRACTIONS: ± 1/16"	DRAFT NO. 20120216-1	PART NUMBER: 53049 - 53055
FILE LOC: Z:\Aluminum\DSI Columns\Rnd Fluted Columns\10 Inch\10in.Alum Column Rnd Fluted.idw		REV.	