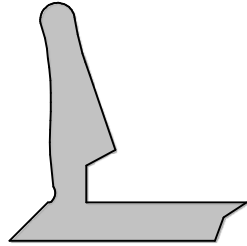
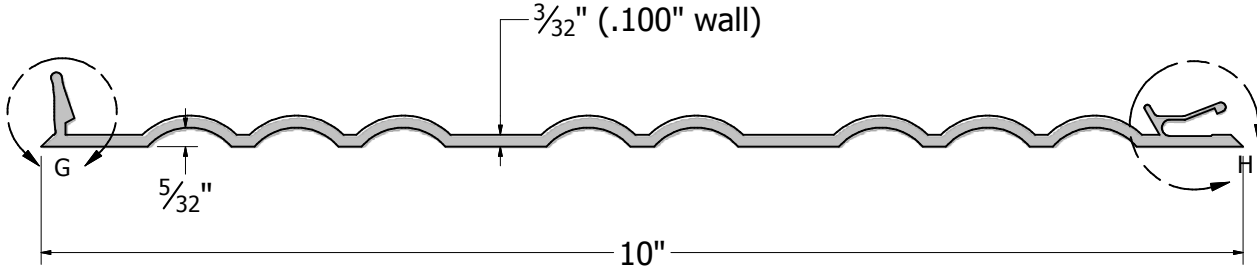
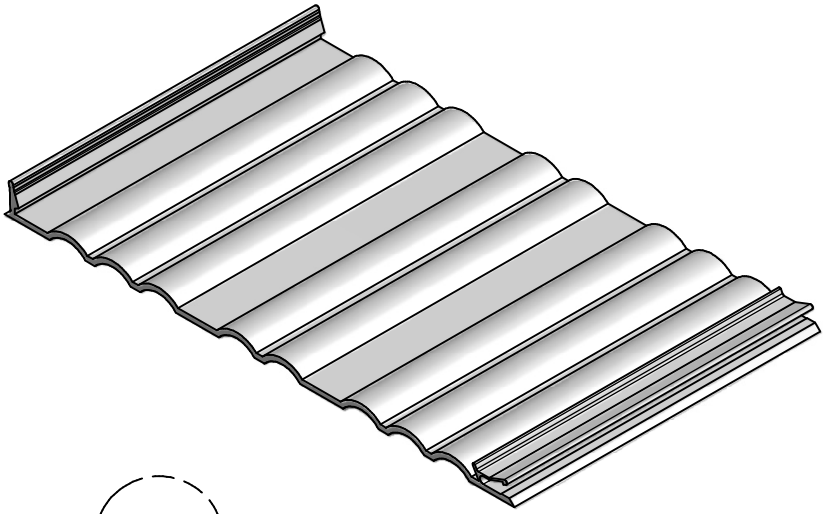
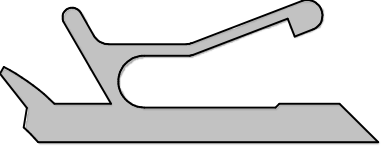


REV.	REVISION	DATE




DETAIL G  
SCALE 4 : 1



DETAIL H  
SCALE 4 : 1

Length	Part #
8'	55823
9'	55824
10'	55825

 <b>DSI Digger Specialties Inc.</b> 3446 US 6 EAST BREMEN, IN 46506 <a href="http://www.diggerspecialties.com">www.diggerspecialties.com</a>	WEIGHT: 1.38 lb/ft.	DRAWN BY: fsb	MATERIAL: <b>Aluminum</b>	
	STANDARD TOLERANCE: .00 ~ .01 .000 ~ .005 ANG. ~ .5°	DATE DRAWN: <b>2/20/2012</b>		PART NAME: <b>10in. Alum Stave SQ. Fluted</b>
	FRACTIONS: ± 1/16"	DRAFT NO. <b>20120220-1</b>	PART NUMBER: <b>See Chart</b>	REV.
	FILE LOC: Z:\Aluminum\DSI Columns\Sq. Fluted Columns\10 Inch\Alum Stave SQ. Fluted 10.idw			