

4

3

2

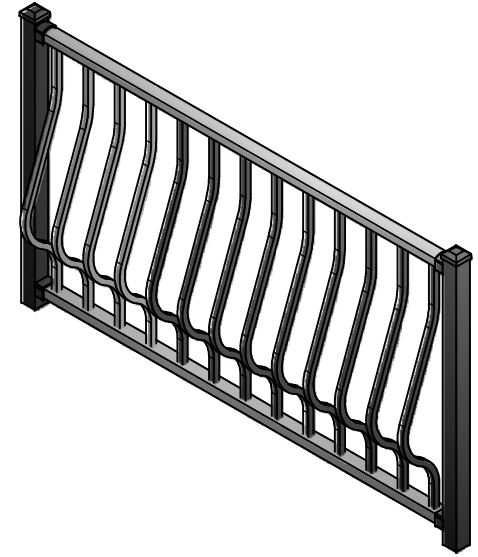
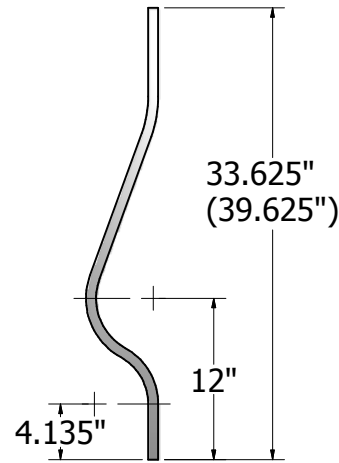
1

1 PART NUMBER:

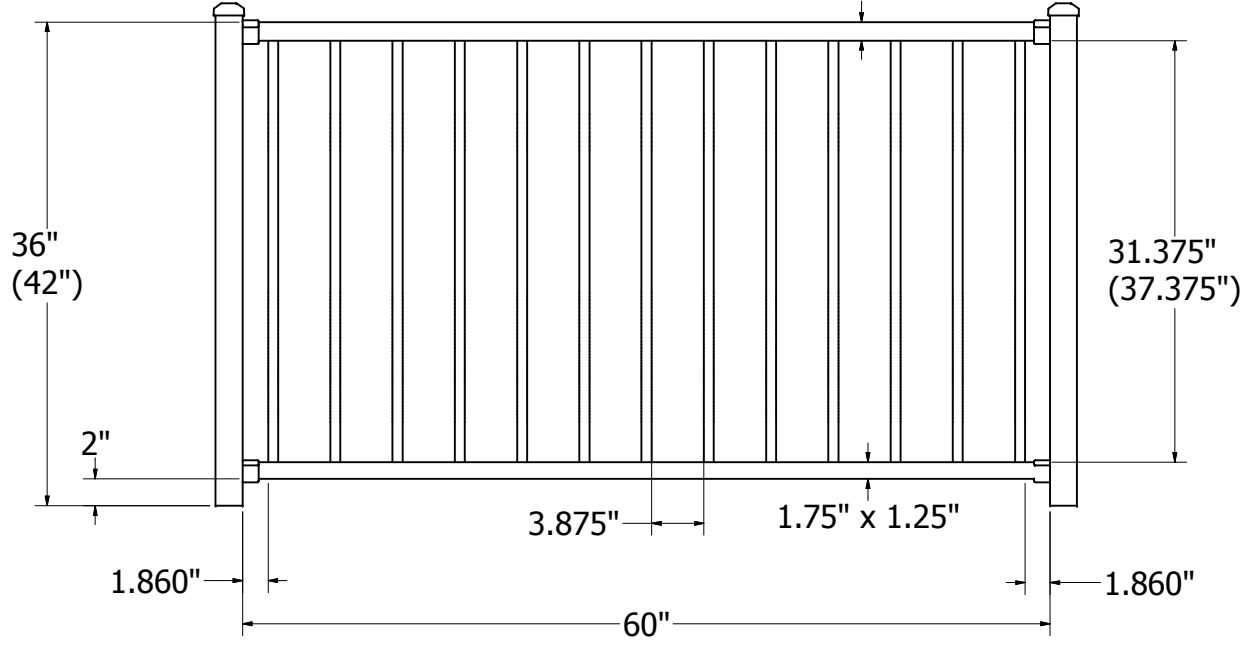
REV.	REVISION	DATE
A	RELEASED TO PRODUCTION	

Dimensions in parenthesis ( ) are for 42" Railing

Picket



1.75" x 1.375"



36" (42")

31.375" (37.375")

2"

3.875"

1.75" x 1.25"

1.860"

60"

1.860"

SHEET SIZE = C	DRAWN BY: <b>wjm</b>	MATERIAL: <b>5' Montego Railing</b>
SCALE =	DATE DRAWN: <b>11/16/2009</b>	PART NAME: <b>C-20 5 Foot</b>
STANDARD TOLERANCE: .00 ±.01 FRACTIONS: .000 ±.005 ±.1" ANG ±.5°	APPROVED BY:	PART NUMBER: <b>Section 5</b>
FIRST USED ON:	DATE APPR'D:	REV.

FINISH:

3446 US 6 EAST  
Bremen, IN 46506

4

3

2

1

1

D

D

C

C

B

B

A

A

A

A