

4

3

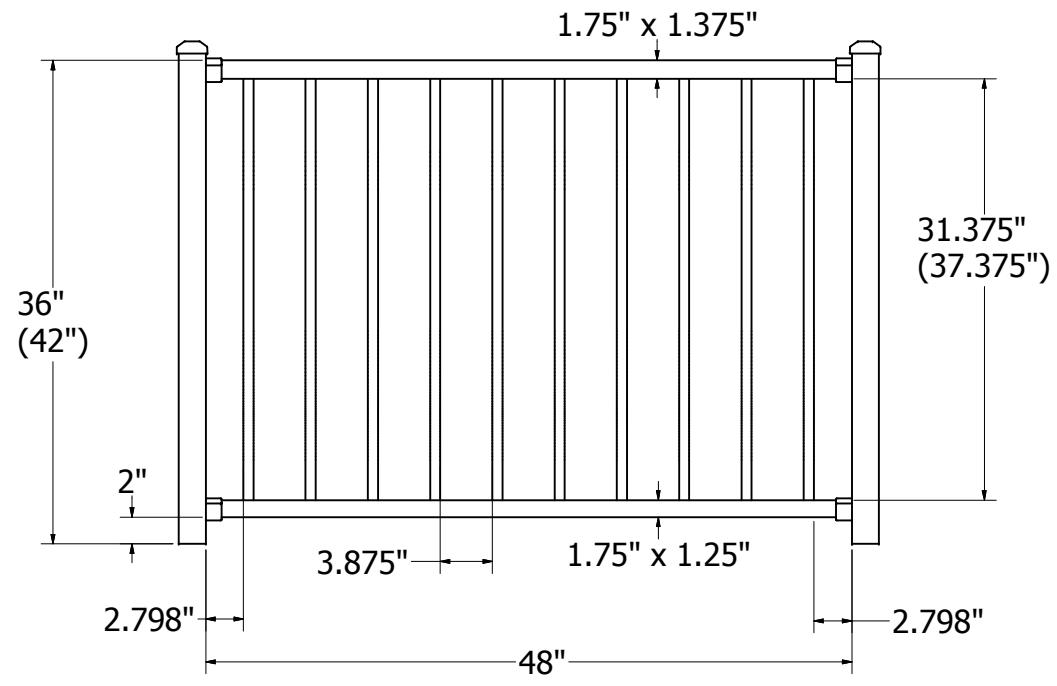
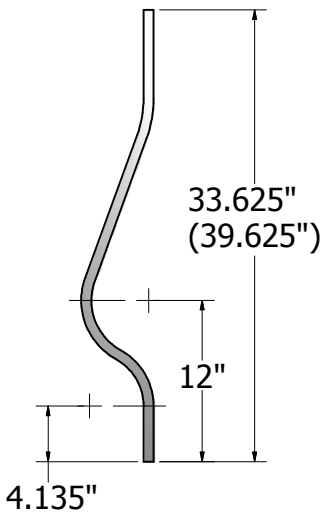
2

1 PART NUMBER:

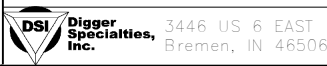
REV.	REVISION	DATE
A	RELEASED TO PRODUCTION	

Dimensions in parenthesis ( ) are for 42" Railing

Picket



SHEET SIZE= C	DRAWN BY: <b>wjm</b>	MATERIAL: <b>4' Montego Railing</b>
SCALE =	DATE DRAWN: <b>11/16/2009</b>	PART NAME: <b>C-20 4 Foot</b>
STANDARD TOLERANCE: .00 ±.01 FRACTIONS .000 ±.005 ±.1" ANG ±.5°	APPROVED BY:	PART NUMBER: <b>Section 4</b>
FINISH:	FIRST USED ON:	REV.



4

3

2

1

D

D

C

C

B

B

A

A

A

A