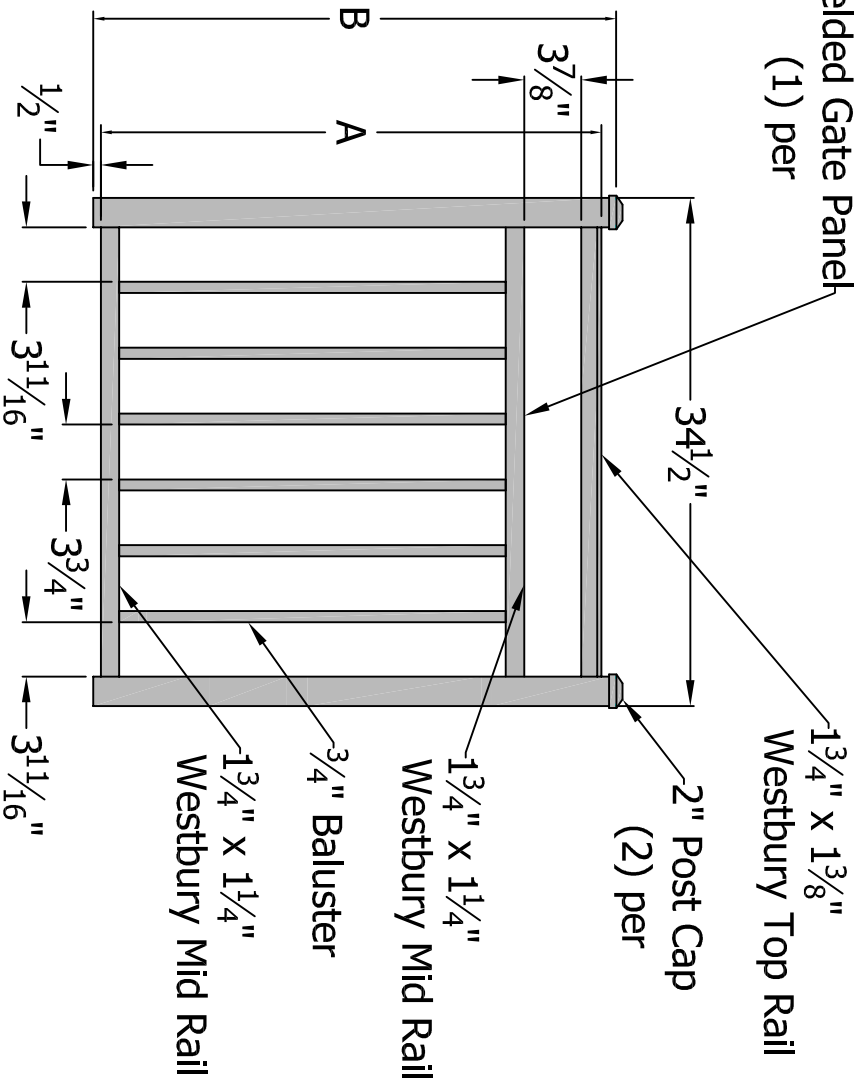


Nominal Rail Height	Baluster Style	Part #	A	B
36"	Square	70389	34"	35 1/2"
36"	Round	72371	34"	35 1/2"
42"	Square	70391	40"	41 1/2"
42"	Round	72373	40"	41 1/2"

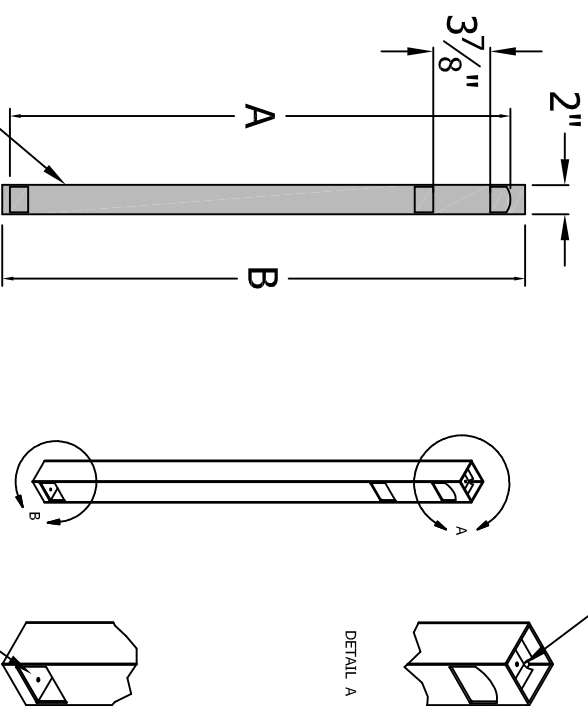
REV.	REVISION	DATE
A	RELEASE PENDING APPROVAL	
A	Reduced bottom rail height from 3" to 2"	03/29/2016

PART NUMBER:

Welded Gate Panel
(1) per



1/8\" plate welded inside



2\" Sq. .090 wall Gate Side
(2) per

1/8\" plate welded inside

SHEET SIZE = C	DRAWN BY: CM	PART NUMBER or STYLE: C30_C301 Gate 36in Wide
SCALE = 1\" : 1\"	DATE DRAWN: 02-18-2016	Quote requested by:
STANDARD TOLERANCES: .00 ±.01 FRACTIONS: .000 ±.005 ±.18	LOC: Z:\Aluminum\Westbury\C30 Rivera\C30 Rivera\Gates	

APPROVED BY:

DATE APPROVED:

DSI Digger States, Inc.
3446 US 6 EAST
Bremen, IN 46506

FIRST USED ON:
DRAFT: 20160218-1C

PART NAME: Gate
SHEET REV: B

4

3

2

1