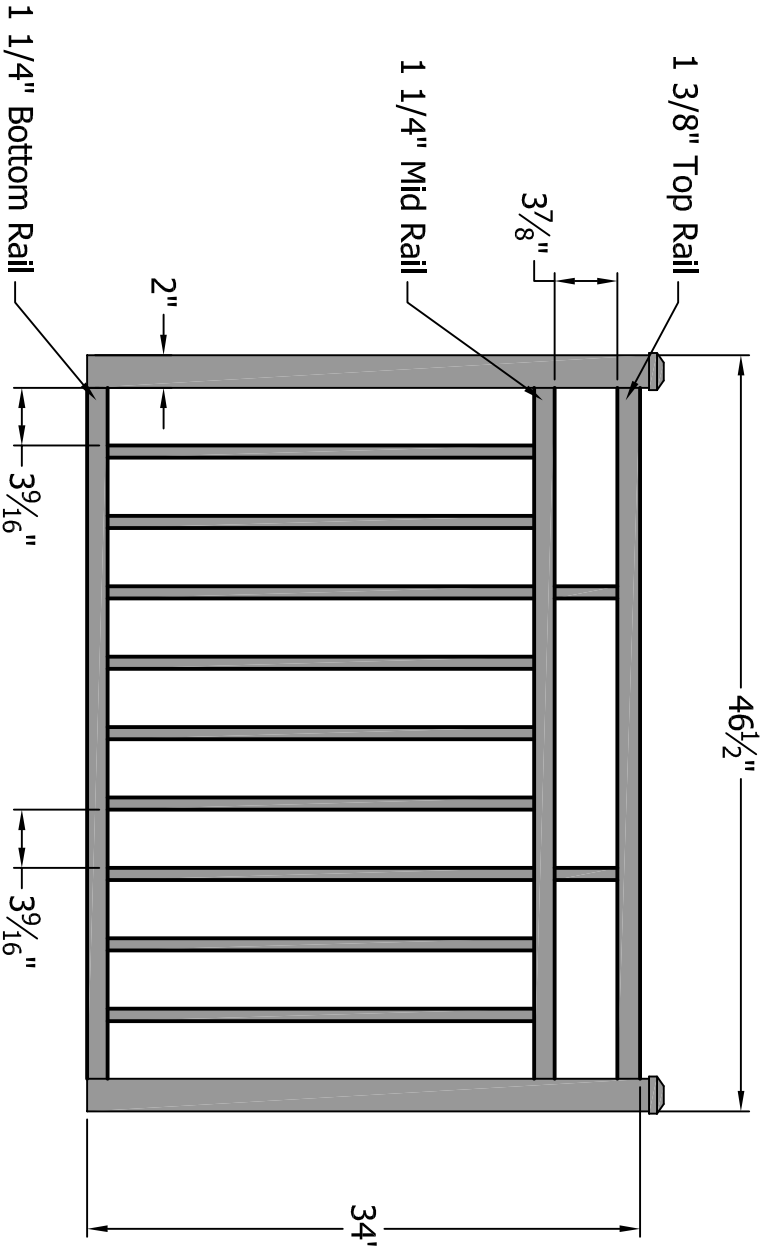


PART NUMBER:

REV.	LOC.	REVISION	DATE
A		RELEASE PENDING APPROVAL	



4

3

2

1

A B C D

FINISH:	3446 US 6 EAST Bremen, IN 46506	DRAFT: 20100111-1	LOC PDF:	FILE NAME: C34 Gate mark 48	REV. A
SHEET SIZE = C	DRAWN BY: wjm	PART NUMBER: C-34 Gate			
SCALE = none	DATE DRAWN: 01-11-2010	LOC ACAD: Z:\Projects\Projects 2009\C30\Gate\			
STANDARD TOLERANCE: .00 ±.01 FRACTIONS: ANG. ±.5°		STYLE: Riviera Alt. 3 Picket Top			

