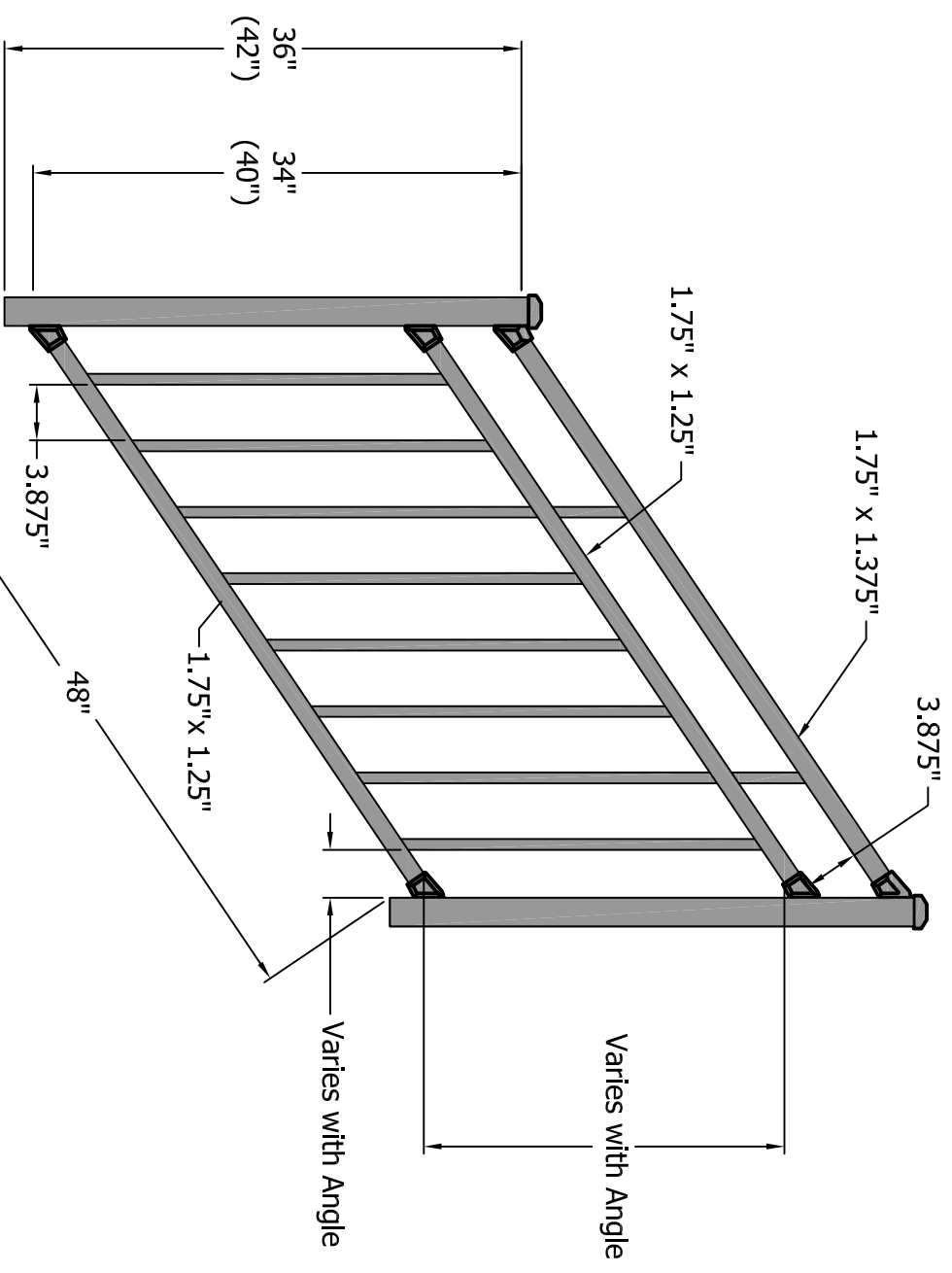


REV.	LOC.	REVISION	DATE

PART NUMBER:

Drawn at 34°




4

3

2

1

 <p>3446 US 6 EAST Bremen, IN 46506</p>		<p>DRAFT: 20091130-1</p>		<p>LOC PDF: z:/projects/projects 2009/C30/</p>		<p>FILE NAME: C34 4 foot stair mark</p>		REV.
<p>FINISH:</p>		<p>SCALE = none</p>		<p>DATE DRAWN: 11-30-2009</p>		<p>PART NUMBER: C34 -4 foot Stair</p>		
<p>STANDARD TOLERANCE: .00 ±.01 FRACTIONS: .000 ±.005 ±.1"</p>		<p>DRAWN BY: wjm</p>		<p>LOC ACAD: z:/projects/projects 2009/C30/</p>		<p>STYLE: Riviera Alt. 3 Picket Top</p>		
<p>ANG. ±.5°</p>		<p>VARIES WITH ANGLE</p>		<p>VARIES WITH ANGLE</p>		<p>VARIES WITH ANGLE</p>		

A

B

C

D