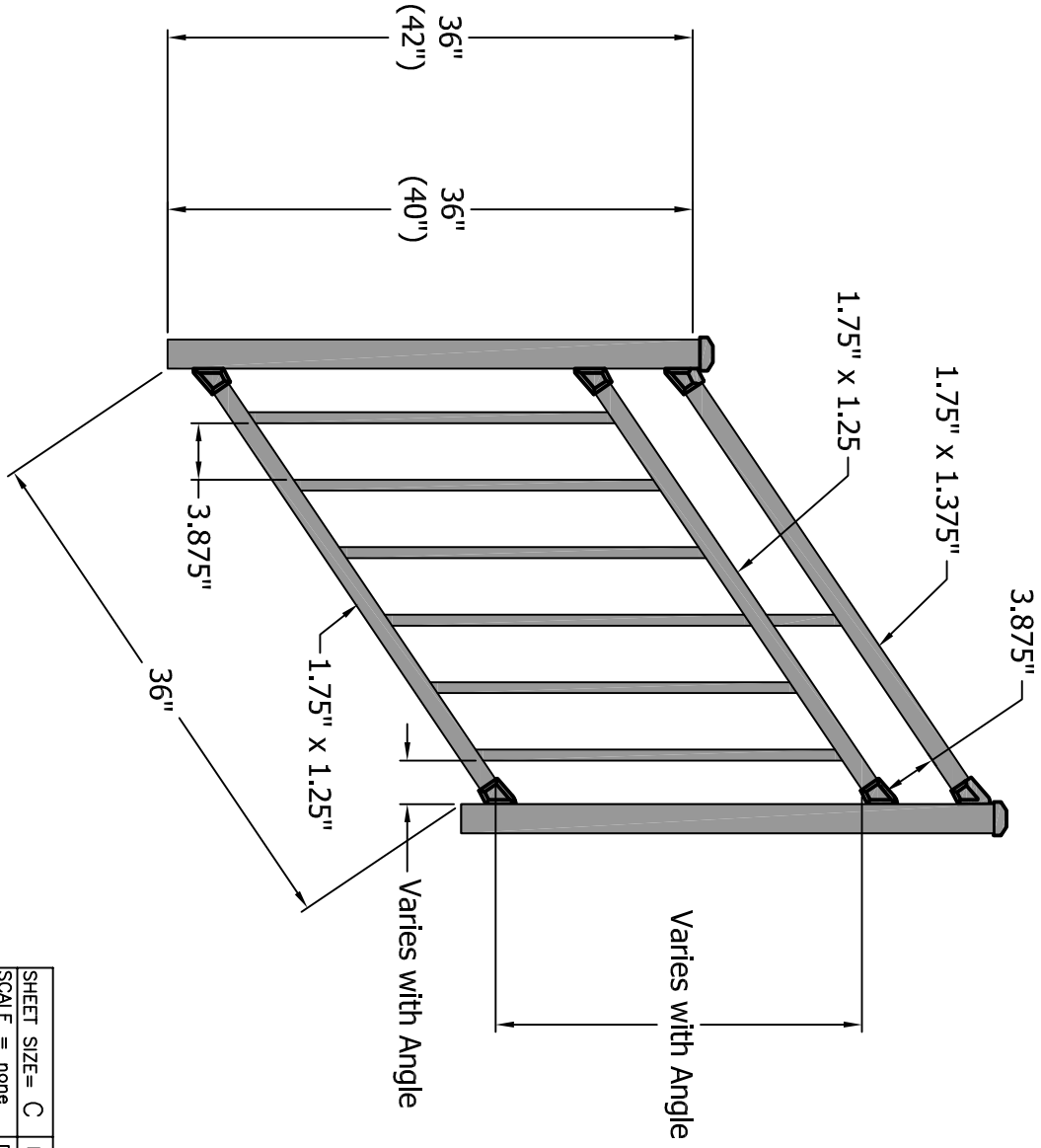


PART NUMBER:

REV. LOC. REVISION DATE

REV.	LOC.	REVISION	DATE

Drawn at 34°



4

3

2

1

DSI
Digger
Statistics,
Inc.

3446 US 6 EAST
Bremen, IN 46506

FINISH:	SHEET SIZE = C	DRAWN BY: wjm	PART NUMBER:
SCALE = none	DATE DRAWN: 11-30-2009	LOC ACAD: Z:/projects/projects 2009/C30/	C34 -3 foot Stair
STANDARD TOLERANCE: .000 ±.01 FRACTIONS: ANG. ±.5°	LOC PDF: Z:/projects/projects 2009/C30/	FILE NAME: C34 3 foot stair mark	36" Tall & 42" Tall
DRAFT: 20091130-1			STYLE: Riviera Alt. 3 Picket Top
			REV.

A B C D