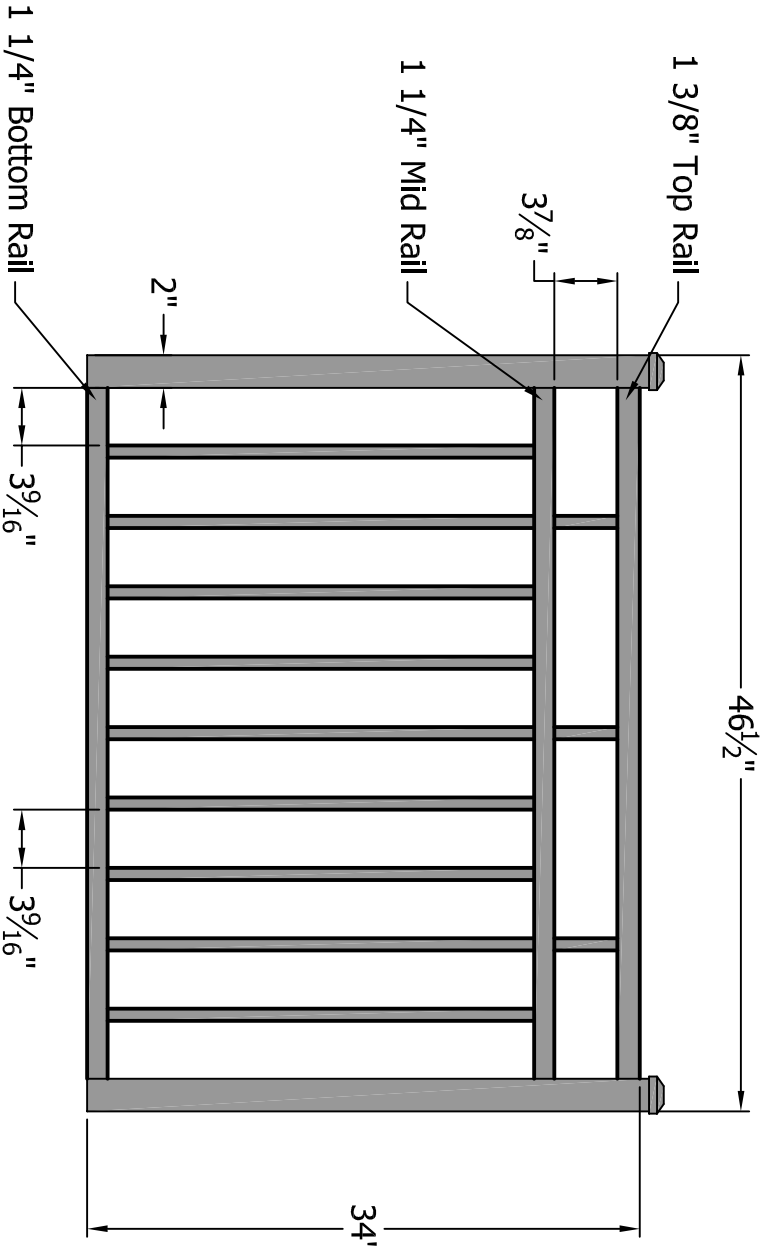


PART NUMBER:

REV.	LOC.	REVISION	DATE
A		RELEASE PENDING APPROVAL	



4

3

2

1

A B C D

DSI Digger
 Inc.
 3446 US 6 EAST
 Bremen, IN 46506

FINISH:

STANDARD TOLERANCE:
 .00 ±.01 FRACTIONS:
 ANG. ±.5° ±1/8"

SHEET SIZE = C	DRAWN BY: wjm	PART NUMBER:
SCALE = none	DATE DRAWN: 01-11-2010	Riviera C-33 Gate
DRAFT: 20100111-1	LOC ACAD: Z:\Projects\Projects 2009\C30\Gate1	STYLE: Riviera Alt. 2 Picket Top
LOC PDF:	FILE NAME: C33 Gate mark 48	REV: A