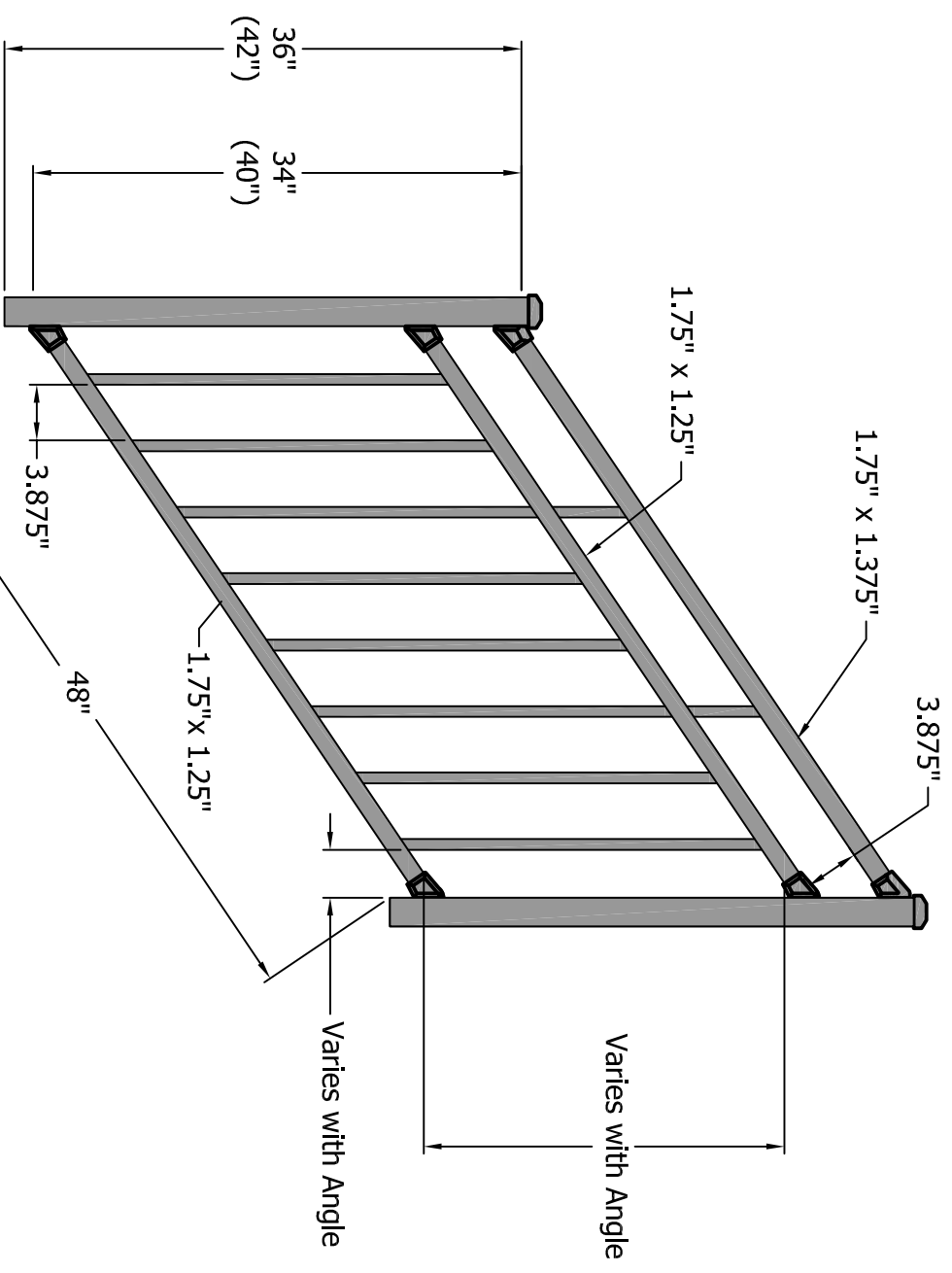


REV.	LOC.	REVISION	DATE

PART NUMBER:

Drawn at 34°



4

3

2

1

DSI Digster Inc.	3446 US 6 EAST Bremen, IN 46506	DRAFT: 20091130-1	LOC PDF: Z:/projects/projects 2009/C30/	FILE NAME: C33 4 foot stair mark	REV.
FINISH:		SHEET SIZE = C	DRAWN BY: wjm	PART NUMBER:	
STANDARD TOLERANCE: .00 ±.01 FRACTIONS: ANG. ±.5° ±.1"		SCALE = none	DATE DRAWN: 11-30-2009	C33 -4 foot Stair	
LOC ACAD: Z:/projects/projects 2009/C30/				36" Tall & 42" Tall	
				STYLE: Riviera Alt. 2 Picket Top	

A B C D