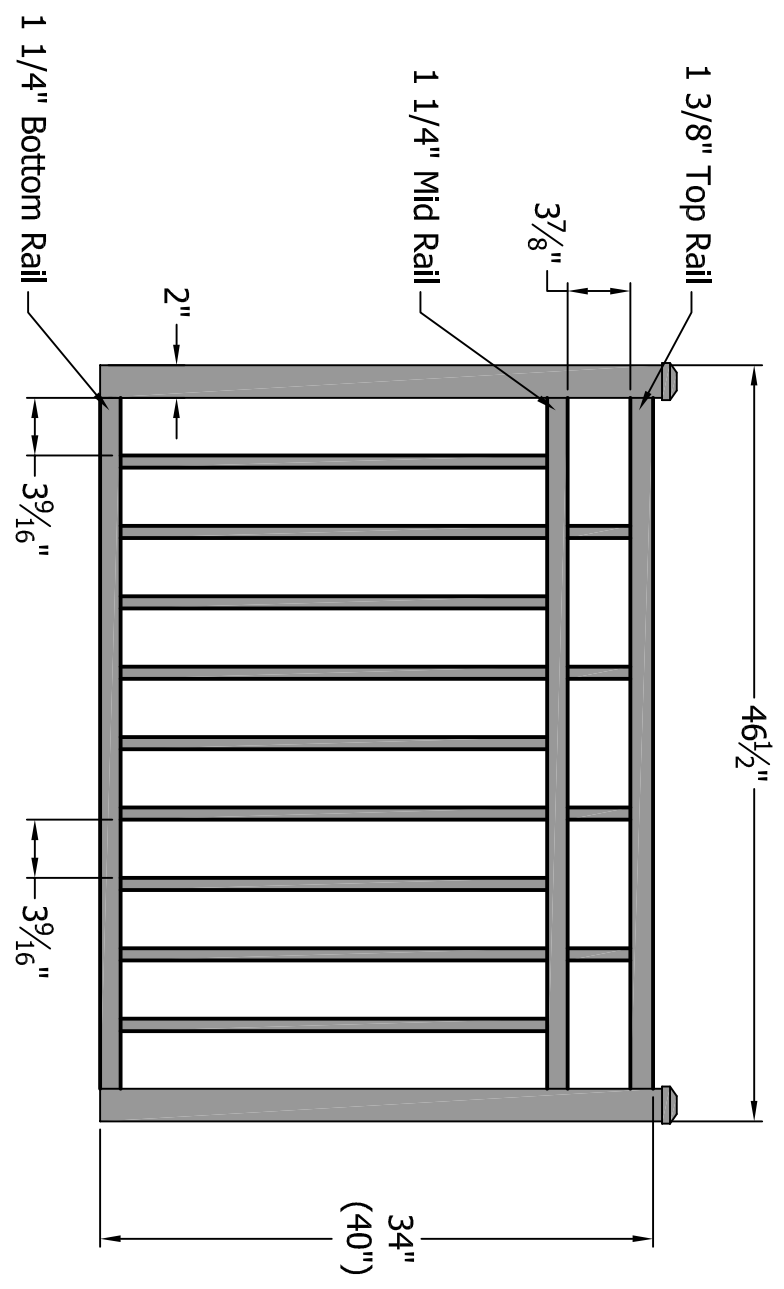


PART NUMBER:

REV.	LOC.	REVISION	DATE
A		RELEASE PENDING APPROVAL	



4
3
2
1

FINISH:	3446 US 6 EAST Bremen, IN 46506	DSI Digger Products, Inc.
SHEET SIZE = C	DRAWN BY: wjm	PART NUMBER:
SCALE = none	DATE DRAWN: 01-11-2010	Riviera C-32 Gate
STANDARD TOLERANCE: .00 ±.01 FRACTIONS: .000 ±.005 ±.1"	LOC ACAD: Z:\Projects\Projects 2009\C30\Gate\	STYLE: Riviera Alternate Picket Top
ANG. ±.5°	LOC PDF:	FILE NAME: C32 Gate mark 48
DRAFT: 20100111-1		REV. A