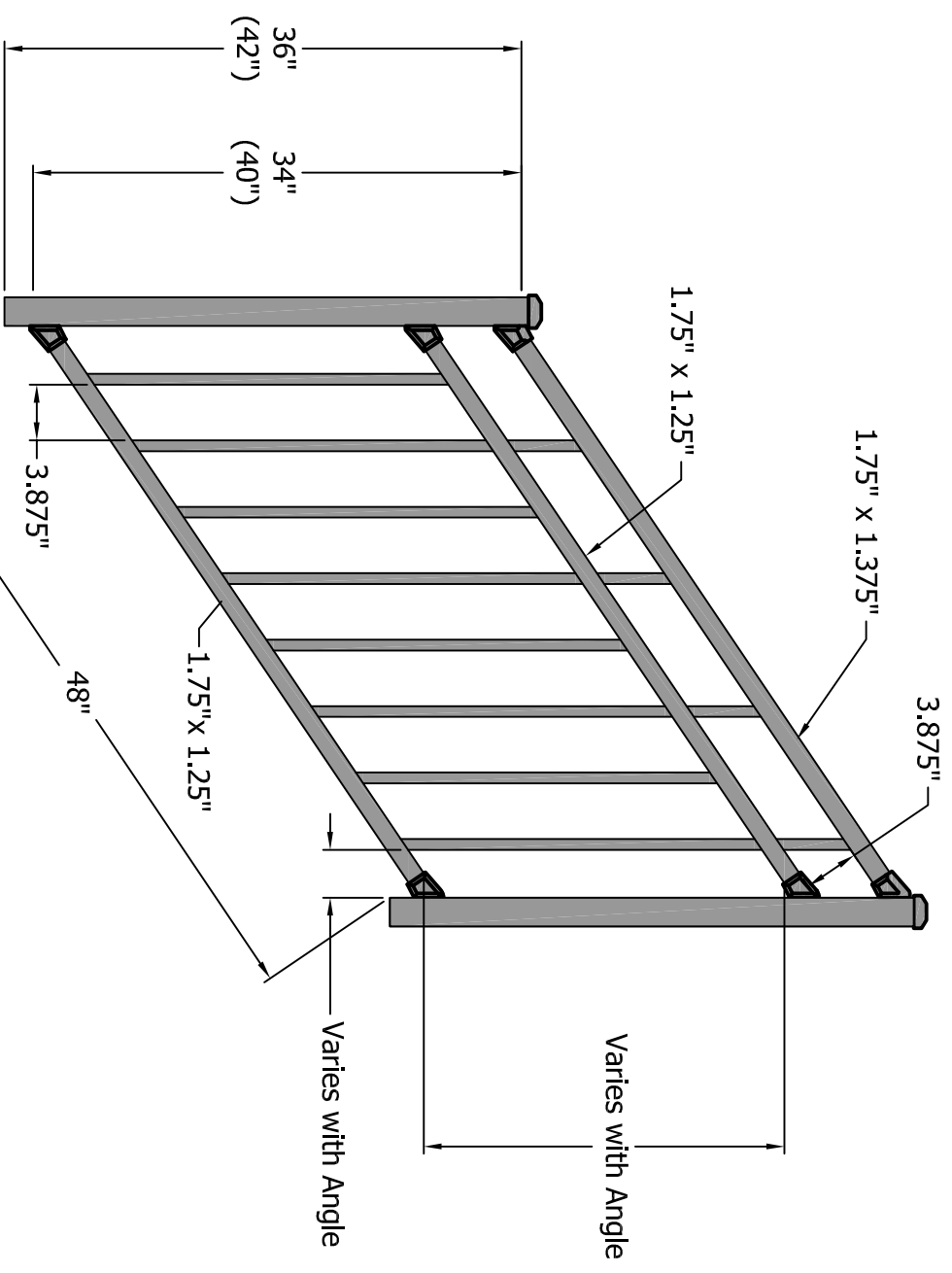


REV.	LOC.	REVISION	DATE

PART NUMBER:

Drawn at 34°



4

3

2

1

FINISH:	DRAFT:	LOC PDF:	FILE NAME:	REV.
	20091130-1	Z:/projects/projects 2009/C30/	C32 4 foot stair mark	
SHEET SIZE = C	DRAWN BY: wjm	DATE DRAWN:	PART NUMBER:	
SCALE = none	11-30-2009		C32 -4 foot Stair	
STANDARD TOLERANCE:	LOC ACAD:	STYLE:	36" Tall & 42" Tall	
.00 ±.01 FRACTIONS:	Z:/projects/projects 2009/C30/	Riviera Alt. Picket Top		
ANG. ±.5° ±.1"				

DSI
Digster
Inc.
3446 US 6 EAST
Bremen, IN 46506

A B C D