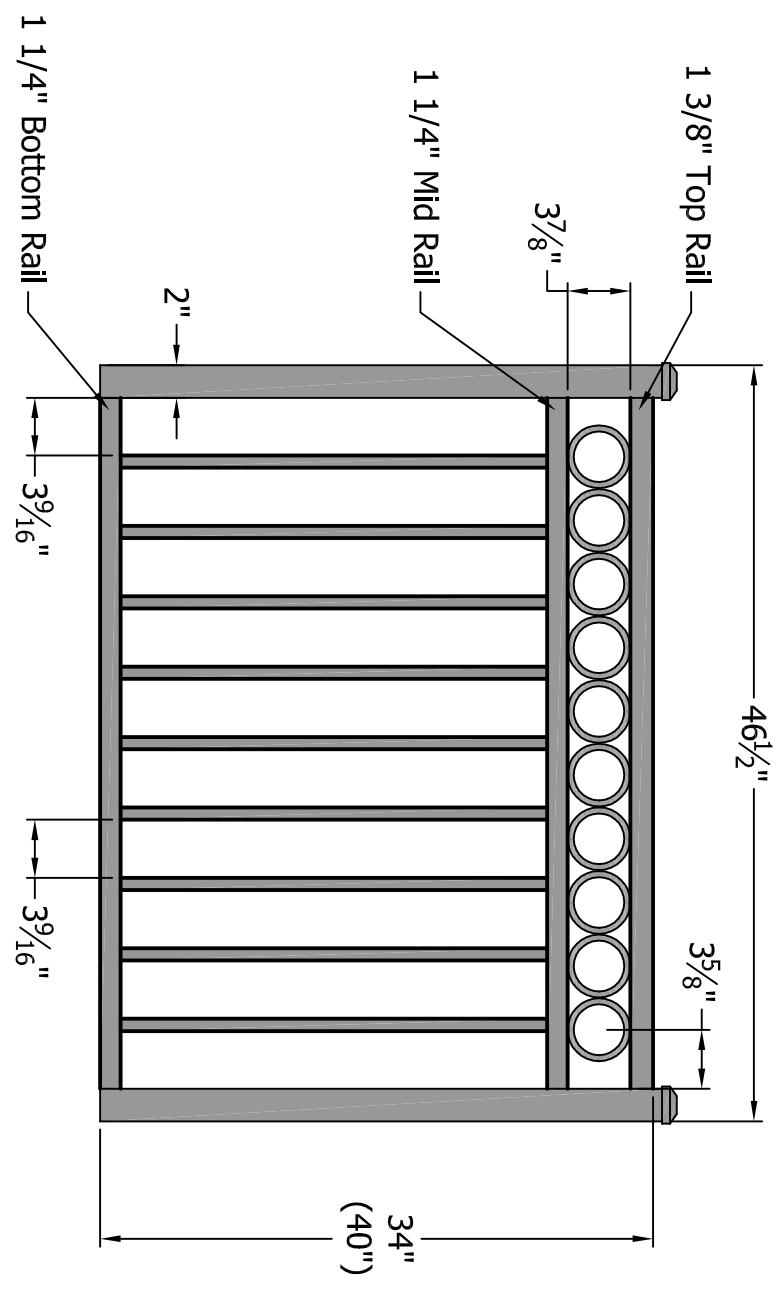


PART NUMBER:

REV.	LOC.	REVISION	DATE
A		RELEASE PENDING APPROVAL	



4

3

2

1

A B C D

SHEET SIZE = C	DRAWN BY: wjm	PART NUMBER:
SCALE = none	DATE DRAWN: 01-11-2010	Riviera C-30R Gate

STANDARD TOLERANCE:	LOC ACAD:	STYLE:
.00 ±.01 FRACTIONS:	Z:\Projects\Projects 2009\C30\Gate\	Riviera Ring Top
ANG. ±.5° ±.1"		

DRAFT: 20100111-1	LOC PDF:	FILE NAME:
		C30R Gate mark 48

REV. A

DSI
Digger
Inc.
3446 US 6 EAST
Bremen, IN 46506

FINISH: