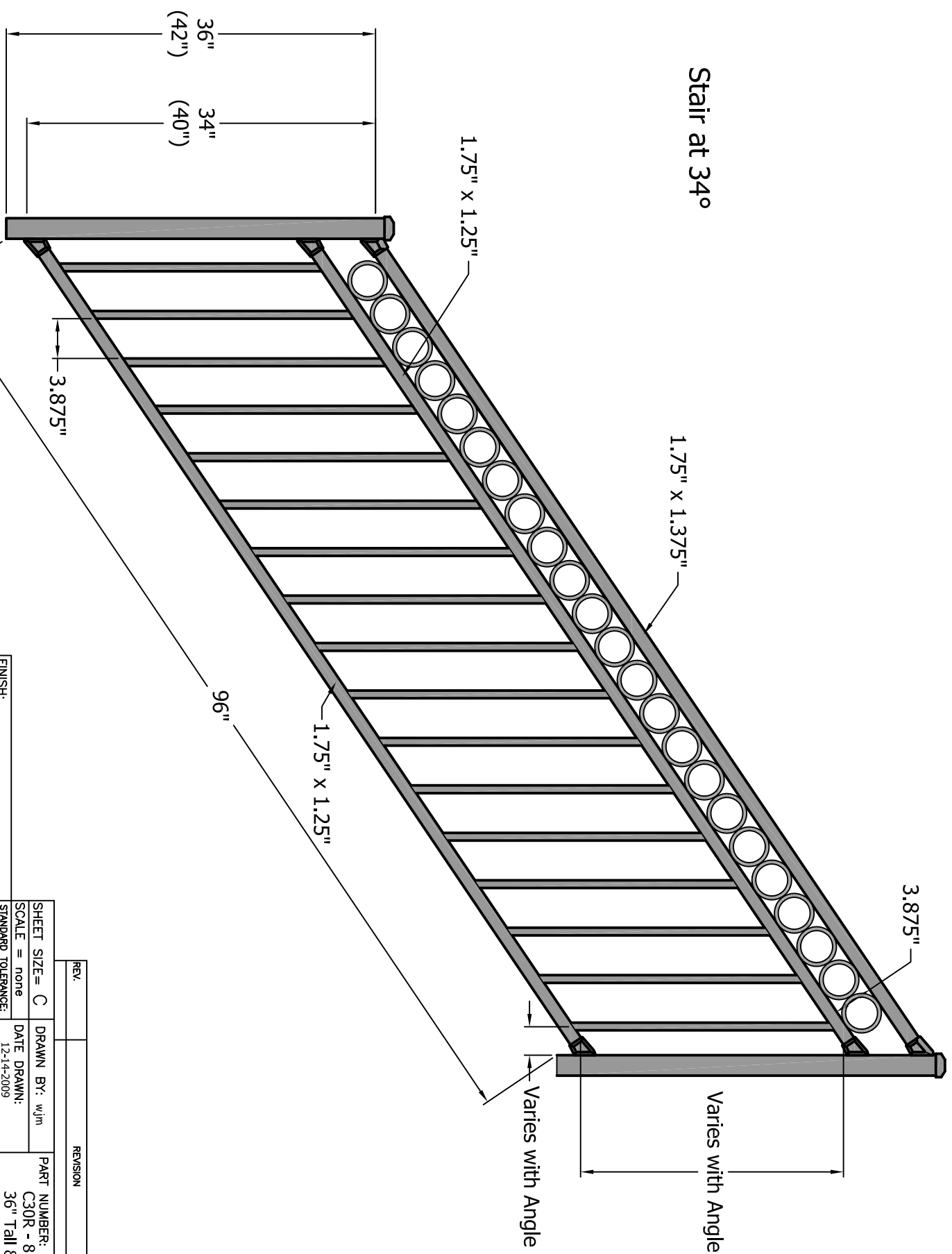


Stair at 34°



4

3

2

1

DSI
Digger
Statistics,
Inc.
3446 US 6 EAST
Bremen, IN 46506

FINISH:	DRAFT:	LOC PDF:	FILE NAME:	REV.
	20091214-1	z:/projects/projects 2009/C30/	C30R 8 foot stair- mark	

SHEET SIZE = C	DRAWN BY: wjm	PART NUMBER:
SCALE = none	DATE DRAWN:	C30R - 8 foot Stair
STANDARD TOLERANCES:	12-14-2009	36" Tall & 42" Tall
.00 ±.01 FRACTIONS:	LOC ACAD:	STYLE:
.000 ±.005 ±.1"	z:/projects/projects 2009/C30/	Riviera Ring Top
ANG. ±.5°		

REV.	REVISION	DATE

A

B

C

D

Varies with Angle

Varies with Angle

96"

1.75" x 1.25"

1.75" x 1.375"

3.875"

1.75" x 1.25"

36"
(42")

34"
(40")

3.875"