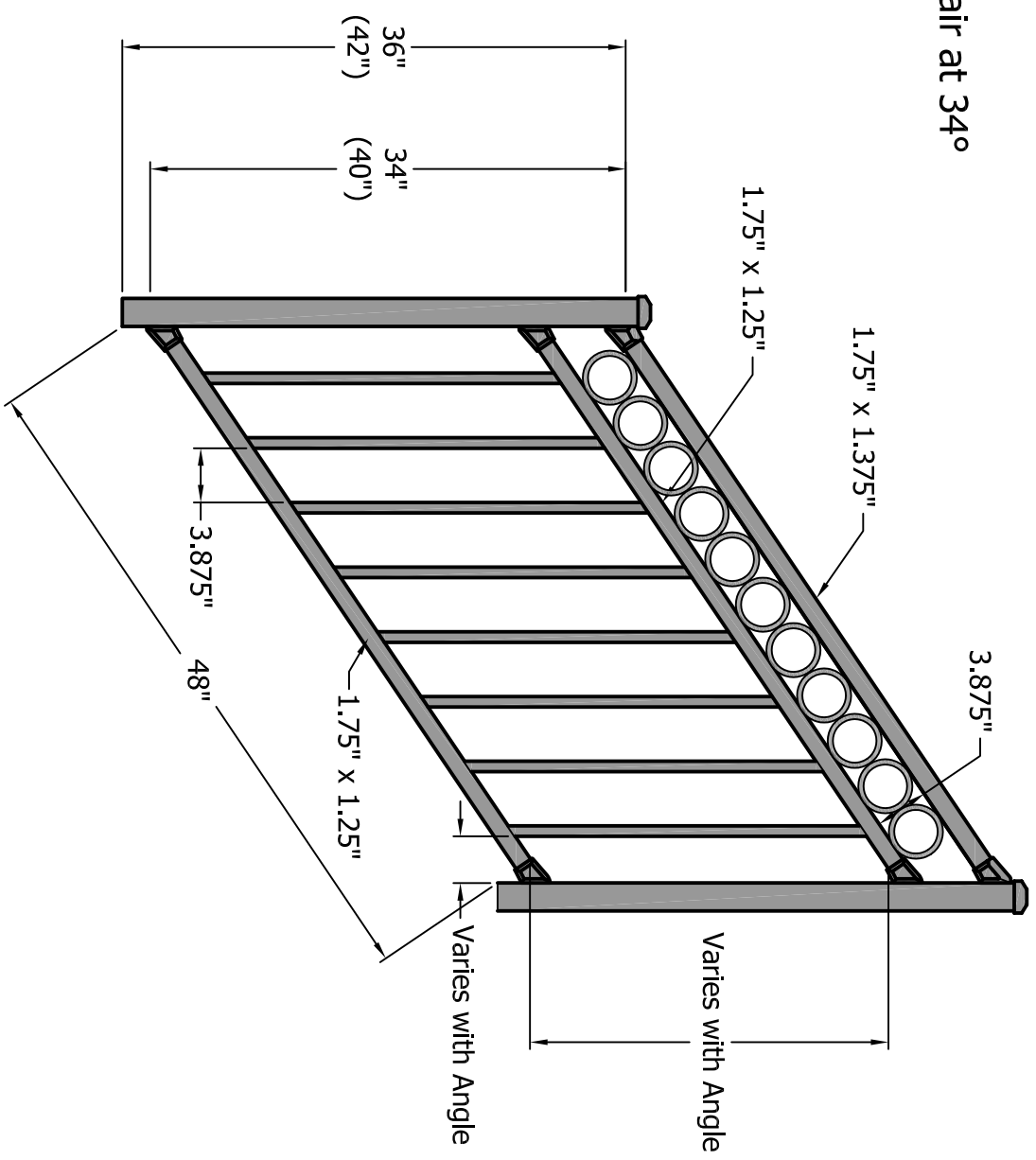


REV.	REVISION	DATE

Stair at 34°



FINISH:	SCALE = none	SHEET SIZE = C	DRAWN BY: wjm	PART NUMBER:
STANDARD TOLERANCES:	SCALE = none	SCALE = none	DATE DRAWN: 12-14-2009	C30R - 4 foot Stair
.000 ±.01 FRACTIONS:	SCALE = none	SCALE = none	LOC ACAD: z:/projects/projects 2009/C30/	36" Tall & 42" Tall
ANG. ±.5° ±.18"	SCALE = none	SCALE = none	LOC PDF: z:/projects/projects 2009/C30/	STYLE: Riviera Ring Top
DRAFT: 20091216-2	SCALE = none	SCALE = none	FILE NAME: C30R 4 foot stair- mark	REV.

DSI Digger Statistics, Inc.
3446 US 6 EAST
Bremen, IN 46506

4

3

2

1

A B C D