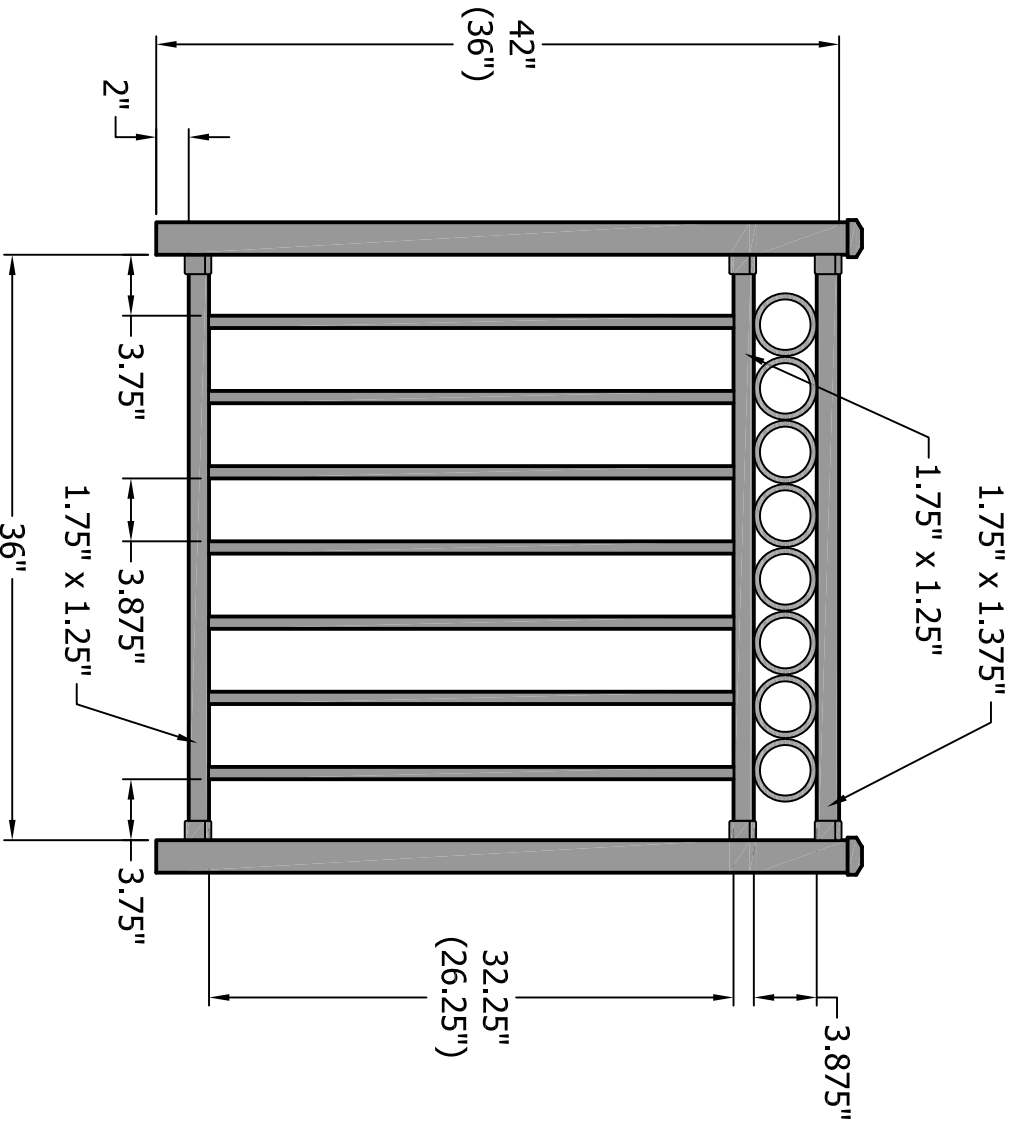


REV.	REVISION	DATE



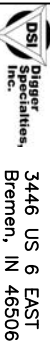
4

3

2

1

FINISH:	3446 US 6 EAST Bremen, IN 46506	DRAFT:	20091214-1	LOC PDF:	Z:/projects/projects 2009/C30/	FILE NAME:	C30R 3 foot mark	REV.	
SHEET SIZE =	C	DRAWN BY:	wjm	DATE DRAWN:	12-14-2009	PART NUMBER:	C-30R 3 Foot		
SCALE =	none	LOC ACAD:	Z:/projects/projects 2009/C30/	STYLE:	Riviera Ring Top				
STANDARD TOLERANCE:	.00 ±.01								
FRACTIONS:	±.005 ±.01								
ANG.	±.5° ±.1°								



A B C D