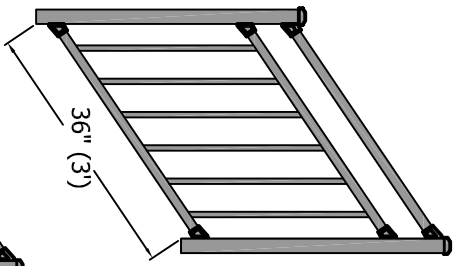


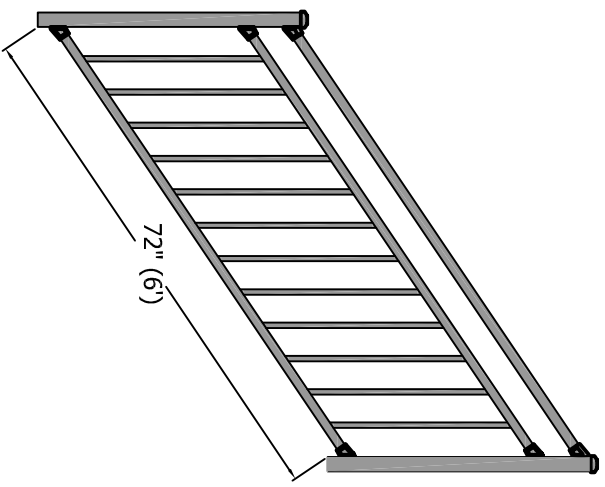
# Riviera Stair Sections

(Style C30)

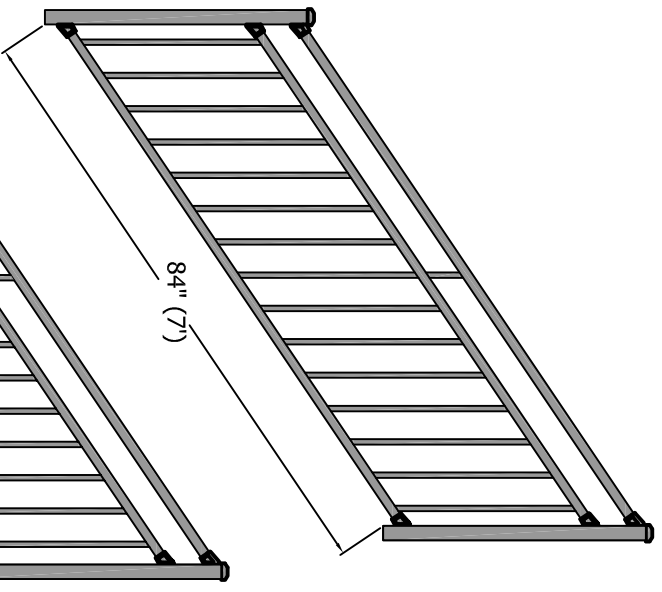
REV.	LOC.	REVISION	DATE



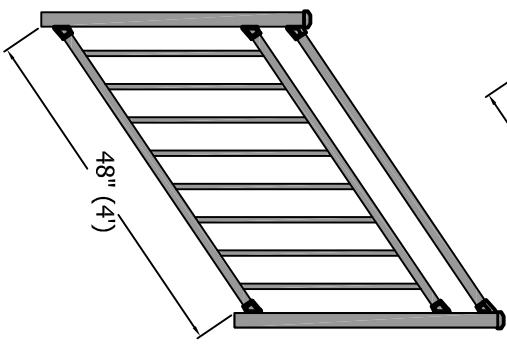
36" (3')



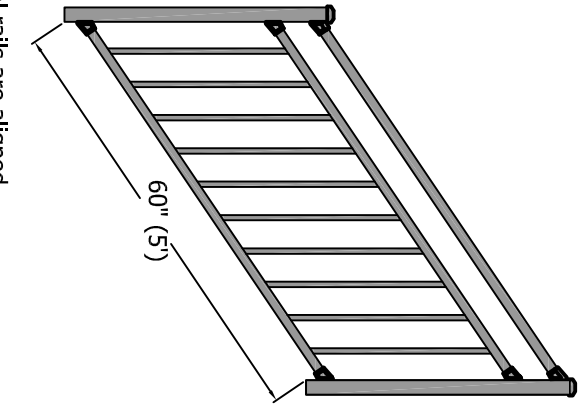
72" (6')



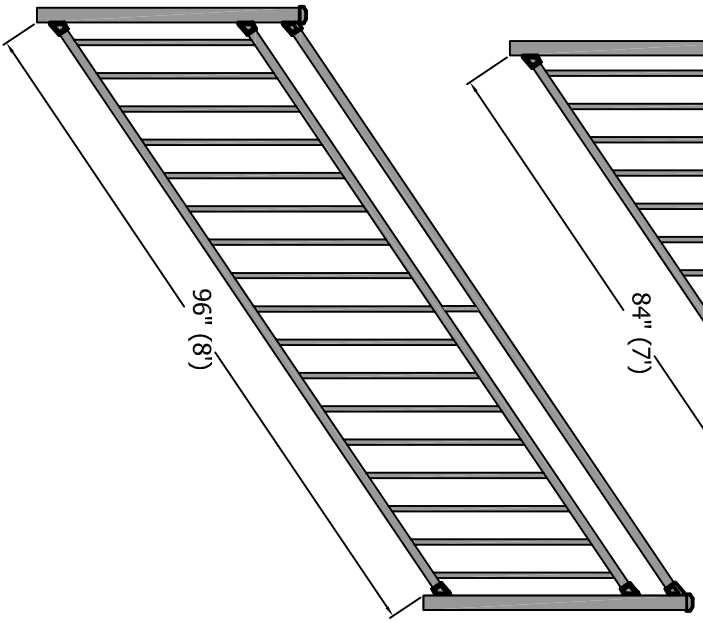
84" (7')



48" (4')



60" (5')



96" (8')

**NOTE:**

Sections are available 36" and 42" tall

Straight sections and stair section horizontal rails are aligned  
Railing is shown at 36" tall

Stair sections are shown at 34°

Distance between pickets is 3.875" (3 7/8")

End spacing for sections is NOT equal to picket spacing

Distance between top and mid rail is 3.875" (3 7/8")

4

3

2

1

**DSI** Digger Structures, Inc.  
3446 US 6 EAST  
Bremen, IN 46506

FINISH:	SHEET SIZE = C	DRAWN BY: wjm	PART NUMBER:
STANDARD TOLERANCE: .000 ±.01 ANG. ±.5°	SCALE = none	DATE DRAWN: 12-24-2009	C30 Stair Section Drawings
LOC ACAD: Z:/projects/projects 2009/C30/	DRAFT: 20091224--1	LOC PDF: Z:/projects/projects 2009/C30/	Riviera Open Top
			PART NAME: C30 stair section drawings
			REV.

A

B

C

D